

# Biometric Full Height Turnstile

FHT2300: Full Height Turnstile

FHT2311: Full Height Turnstile with RFID Access Control System

FHT2322: Full Height Turnstile with Fingerprint and RFID Access Control System

Semi-automatic  
mechanism

Visible indicator

SUS304 stainless  
steel cabinet

Modular design



## Application



Industrial facility



Corporate security



Government security

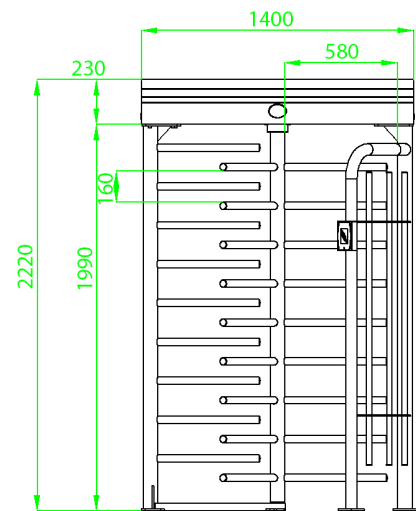
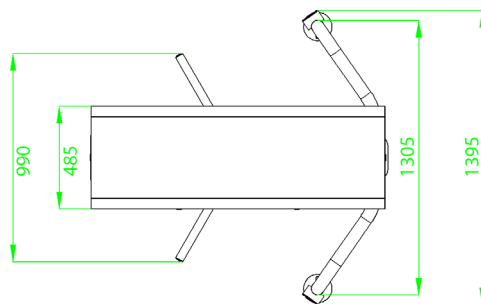
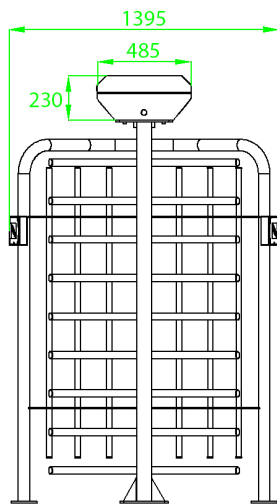


Public transportation

# Specifications

Power requirements		AC110V/220V, 50/60Hz
Working temperature		-28°C~60°C
Working humidity		0%~95%
Working environment		Indoor/Outdoor
Speed of throughput	RFID	Maximum 30/minute
	Fingerprint	Maximum 25/minute
	Face	Maximum 15/minute
	Vein	Maximum 15/minute
Lane width(mm)		580
Footprint(mm*mm)		1400*1395
Dimension(mm)		L=1400 W=1395 H=2220
Dimension with packing(mm)		1975x1085x935&2100x1435x735
LED indicator		Y
Cabinet material		SUS304 Stainless Steel
Barrier material		SUS304 Stainless Steel
Barrier movement		Rotating
Emergency mode		Y
Security level		High
MCBF		2 million
Ingress protection		IP54

# Dimensions (mm)



More details

ZKTECO CO.,LTD.  
E-mail: sales@zkteco.com  
www.zkteco.com

© Copyright 2015, ZKTECO CO., LTD. ZKTECO Logo is a registered trademark of ZKTECO or a related company. All other product and company names mentioned are used for identification purposes only and may be the trademarks of their respective owners. All specifications are subject to change without notice. All rights reserved.

