

ProFAC

Face & RFID Access Control Terminal



ProFAC is an access control terminal with RFID and face detection capability. With ZKTeco's latest ZKFACE version 7.0 high-speed face recognition algorithm and ZMM220 hardware platform (1.2GHZ clock rate), it has extremely high verification speed and low error rate. The ProFAC can hold up to 2000(1:N) facial templates, 4000 (1:1) facial templates, and 10,000 RFID cards. It is compatible with third party controllers and devices like electric door locks, alarms, door bells, and door sensors.

Features



Advanced Face Recognition Technology



Simple Management & Scalability



Multiple Verification Modes:
Face/ Card / Password



Built In Camera
* Event Snapshot
* User Photo



TFT-LCD Color Touch Screen



Specifications (G): GL Exclusive Feature

Capacity

| | |
|--------------|---------------------------|
| Faces | 4,000 (1:1) / 2,000 (1:N) |
| Cards | 10,000 |
| Transactions | 100,000 |
| User Photos | 4,000 |
| Event Photos | 2,000 |

Communication

- (G) TCP / IP
- USB Host
- Wiegand Input / Output
- Security Relay Box

Access Control Interface

- Lock Relay Output
- Alarm Output / Auxiliary Input
- Exit Button / Door Sensor
- Doorbell Output

Hardware

- (G) 1.2GHz High Speed CPU
- (G) Memory 128MB RAM / 256MB Flash
- (G) 2.8 Inches TFT-LCD Touch Screen
- 125KHz EM Reader / Mifare (Optional)
- Hi-Fi Voice & Indicator
- Tamper Switch Alarm
- (G) Dual IR Camera

Standard Functions

- Access Levels / Groups / Holidays
- DST / Bell Schedule
- Duress Mode (Password)
- Anti-Passback
- Record Query
- Custom Wallpaper & Screen Saver

Special Functions

- (G) Multiple Verification Modes
- (G) Event Snapshot
- User Photo
- ZK Encrypted Card

Compatibility

- Wiegand Slave Reader
- ZK BioSecurity Software

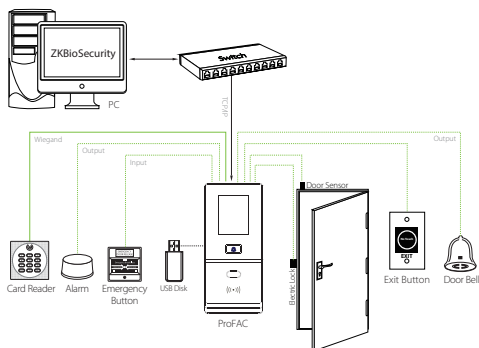
Additional Info

- Working Temperature: -10 °C ~ 50 °C
- Dimensions: 190.5 × 85 × 103 mm.
- ZKFace v7.0 Algorithm
- Face: FAR ≤ 0.001% FRR ≤ 1%
- Package Includes 12V 3A Power Supply

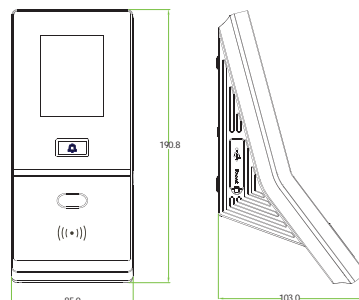
Power

- Operating Voltage 12V DC
- Current Draw < 500mA

Configuration



Dimensions (mm)



ZKTeco Middle East
www.zkteco.me
E-mail: zk_me@zkteco.com



© Copyright 2016. ZKTeco Inc. ZKTeco Logo is a registered trademark of ZKTeco or a related company. All other product and company names mentioned are used for identification purposes only and may be the trademarks of their respective owners. All specifications are subject to change without notice. All rights reserved.