

X8-BT

X8-BT is the most innovative biometric fingerprint reader for access control applications, offering unparalleled performance using an advanced algorithm with excellent reliability, precision and matching speed.

It can operate on standalone mode with the interface for third-party electric lock, alarm, door sensor, exit button and doorbell. Its touch keypad operation is easy and convenient, providing user a comfortable use experience. It supports Bluetooth communication, mobile phone App management, and realizes access control, user information registration, device setting up.



Specifications

Fingerprint Capacity

500 Templates

Card Capacity

500

Transaction Capacity

N/A

Sensor

SilkID Sensor

Algorithm Version

ZKFinger VX10.0

Communication

Bluetooth

Access Control Interface

3rd Party Electric Lock, Door Sensor, Exit

Button, Alarm, Doorbell

Standard Function

Simple access control function, ID card

Optional Function

Mifare Card

Power Supply

12V DC, 3A

Operating Temperature

0 °C- 45 °C

Operating Humidity

20%-80%

Dimensions (LxWxH)

101.5x101.5x37mm

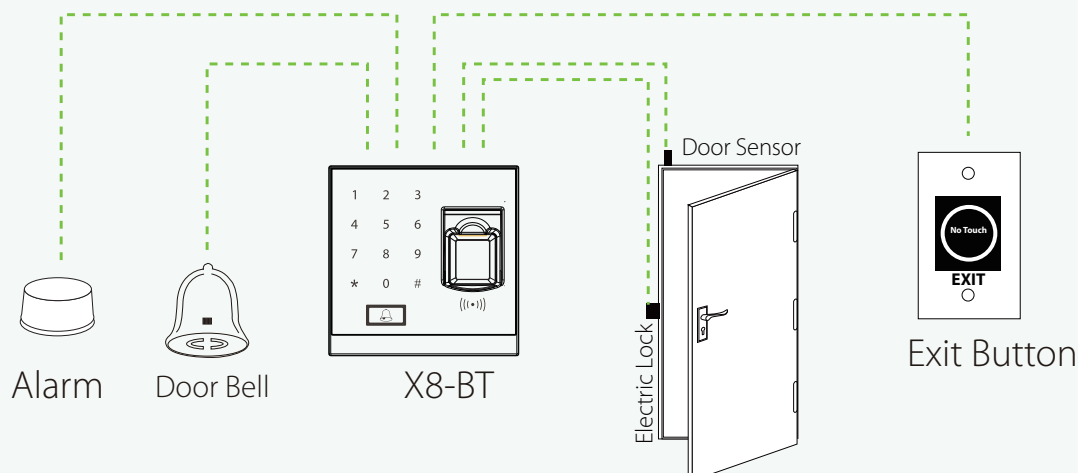
SDK

N/A

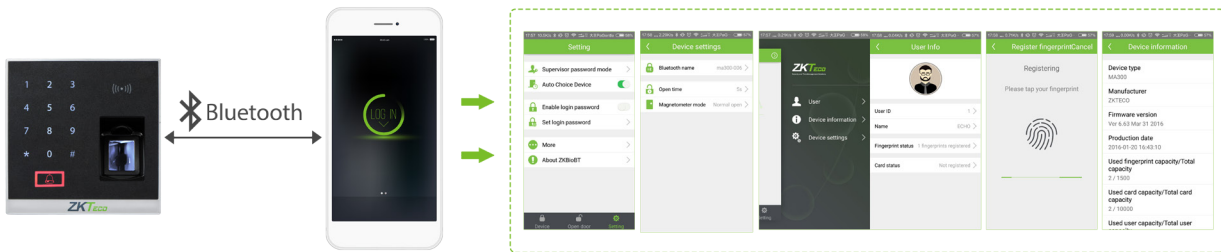
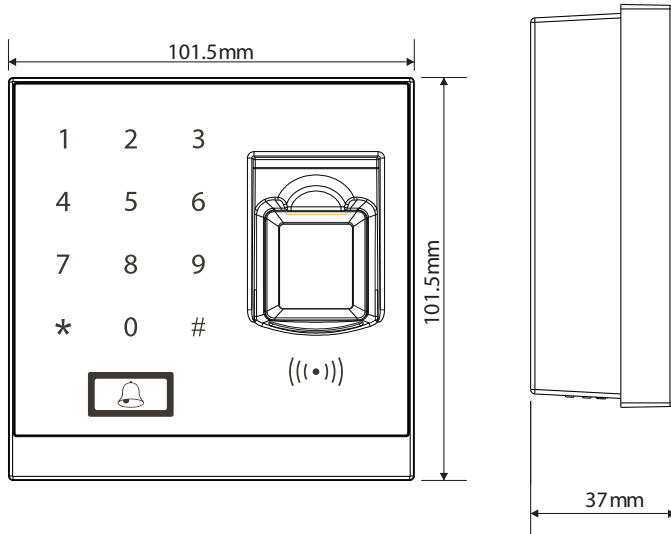
Software

ZKBioBT APP

Configuration



Dimensions (mm)



ZKBioBT APP Download



Scan the following QR code with your mobile phone, and download and install the APP. Mobile phone requirement for APP installation: Andriod OS later than version 4.3, compliant with the Bluetooth protocol later than 7.1, devices later than iphone 4s.



ZKTeco Inc.
www.zkteco.com
E-mail: sales@zkteco.com

© Copyright 2016. ZKTeco Inc. ZKTeco Logo is a registered trademark of ZKTeco or a related company. All other product and company names mentioned are used for identification purposes only and may be the trademarks of their respective owners. All specifications are subject to change without notice. All rights reserved.

