

Installation Instruction

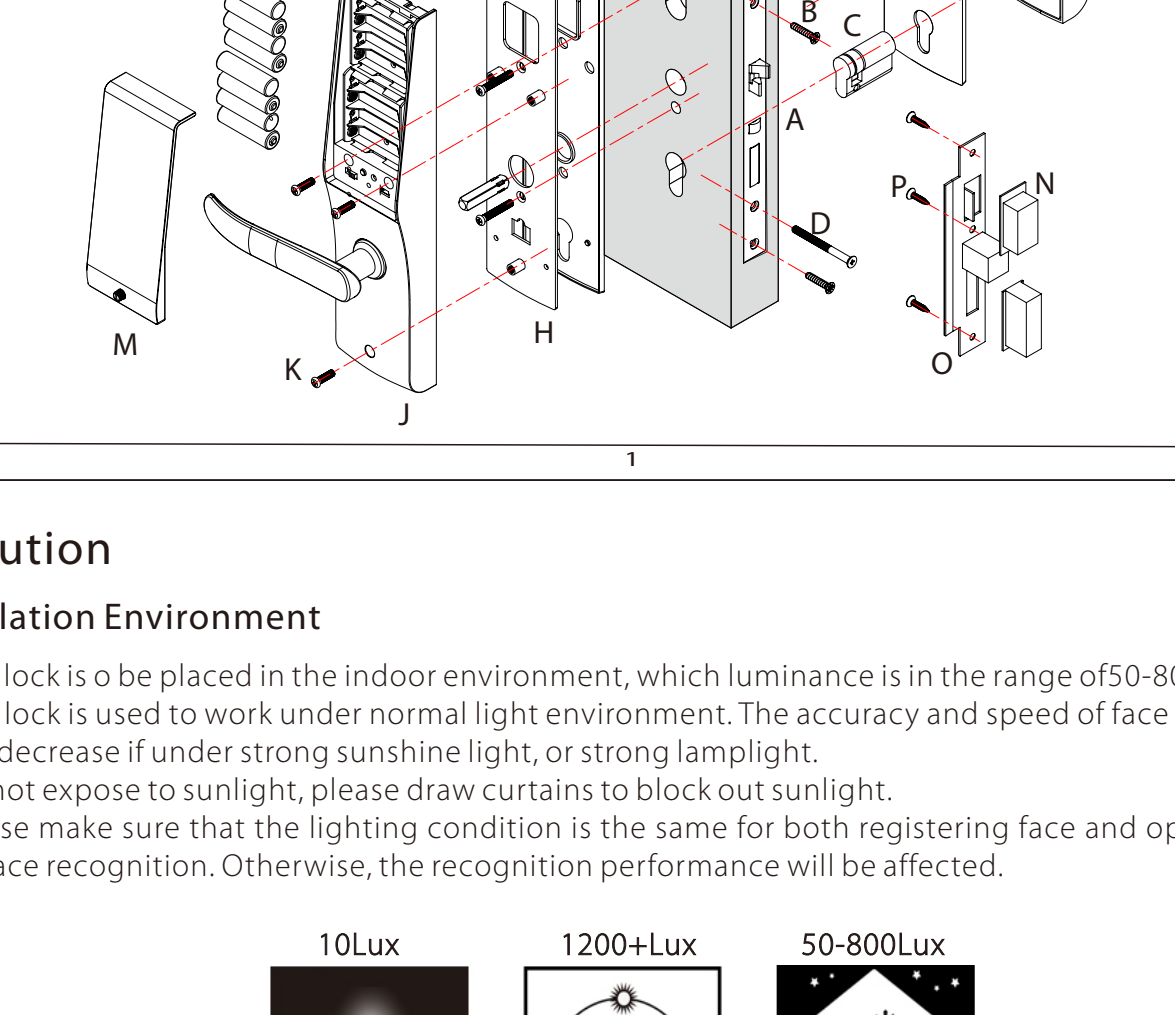
FL1000

Version:1.0
Date: April 2014



Diagram and Caution

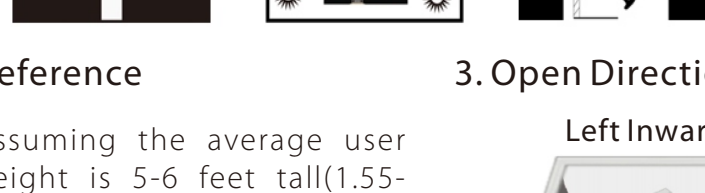
Diagram



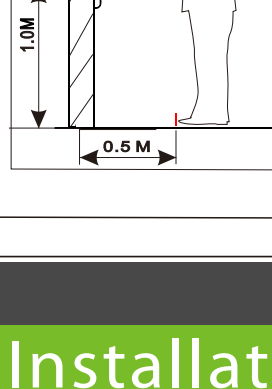
Caution

1. Installation Environment

- This lock is to be placed in the indoor environment, which luminance is in the range of 50-800Lux. This lock is used to work under normal light environment. The accuracy and speed of face recognition will decrease if under strong sunshine light, or strong lamplight.
- Do not expose to sunlight, please draw curtains to block out light.
- Please make sure that the lighting condition is the same for both registering face and opening door by face recognition. Otherwise, the recognition performance will be affected.

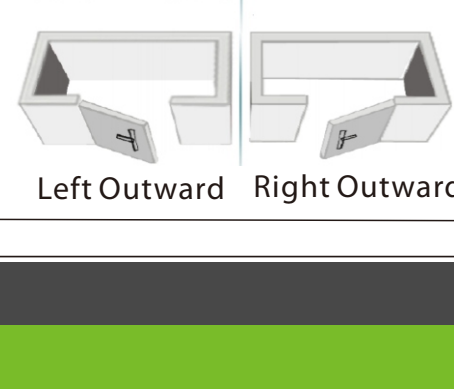


2. Installation Height Reference



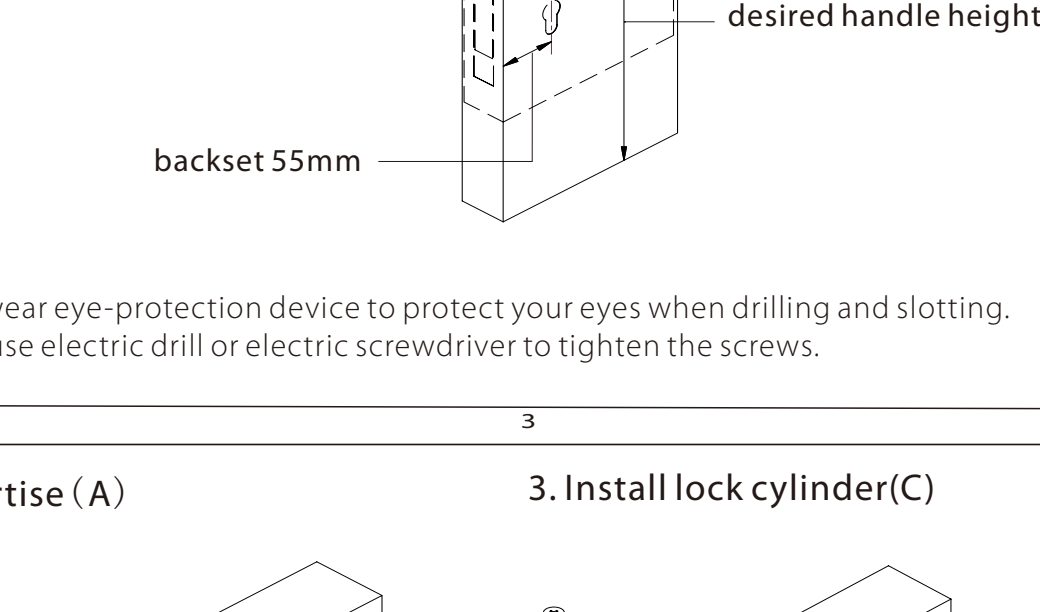
Assuming the average user height is 5-6 feet tall(1.55-1.85m), then it is about 3.3 feet(1m) high from the ground to the lock handle. For the average user height is over 5.4 feet(1.65m), then the installation height is 3.6 feet(1.1m).

3. Open Direction



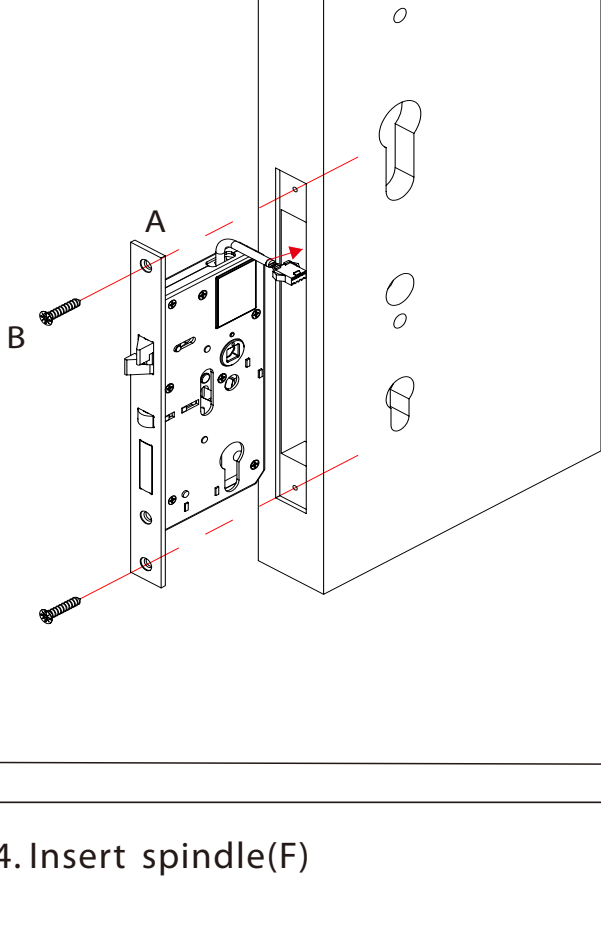
Installation Step

1. Align the template along the vertical center line of the mortise(A) at the desired handle height, and tape it to the door. Drill the hole on the door.

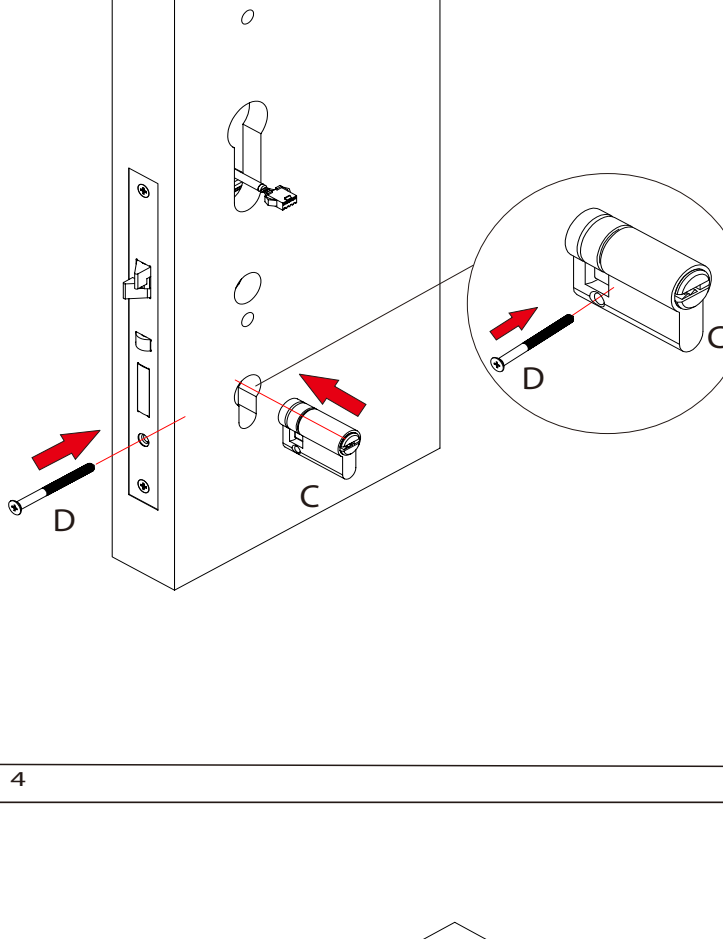


- ⚠ Please wear eye-protection device to protect your eyes when drilling and slotting. Do not use electric drill or electric screwdriver to tighten the screws.

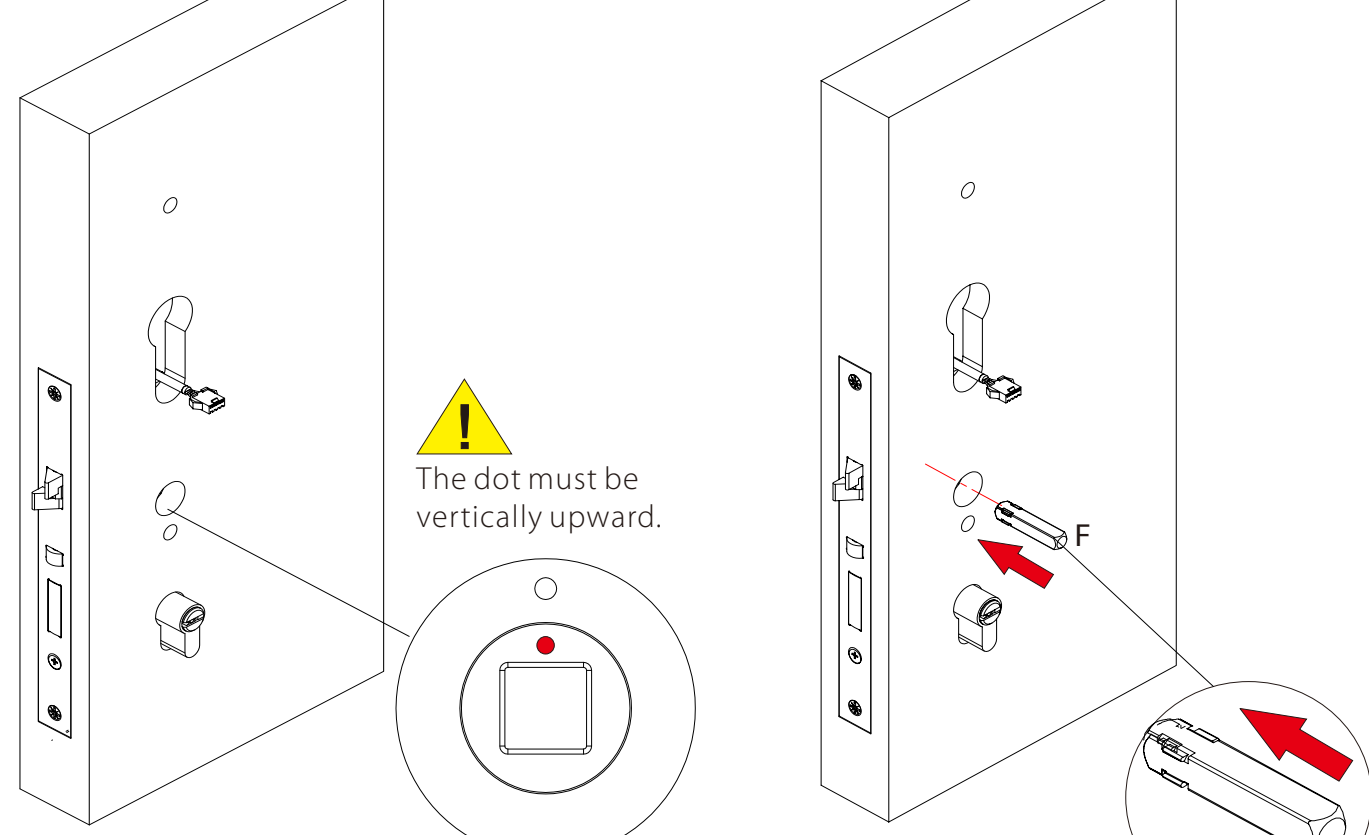
2. Install Mortise (A)



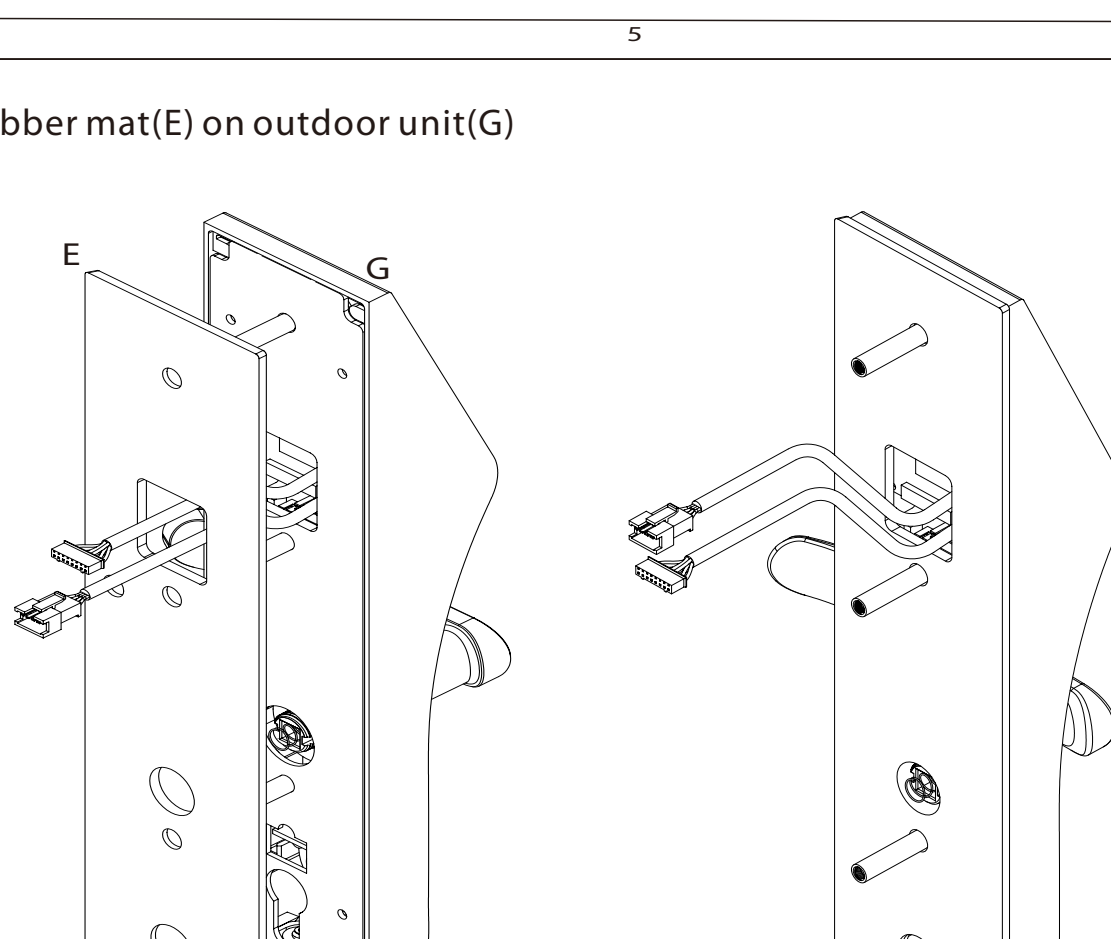
3. Install lock cylinder(C)



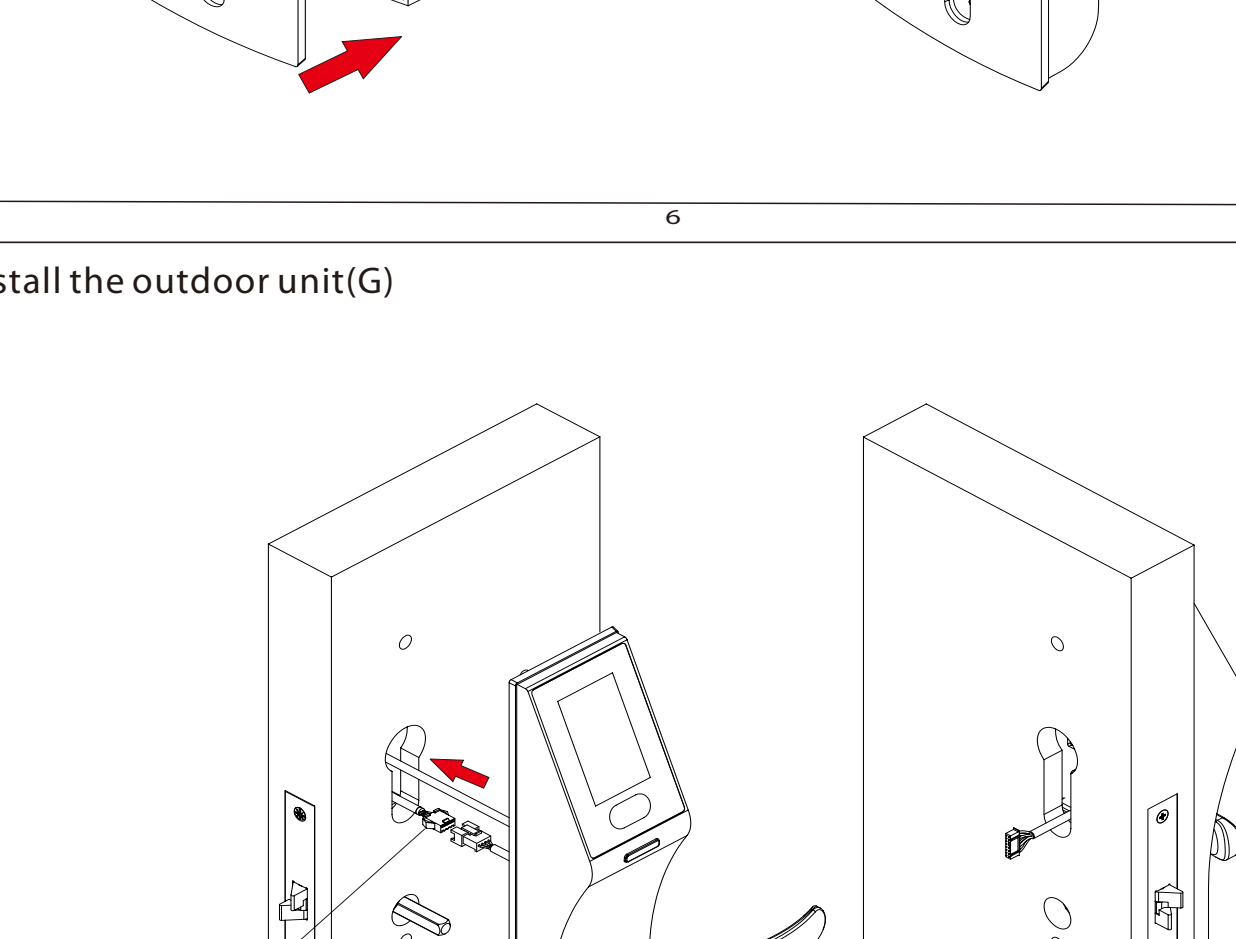
4. Insert spindle(F)



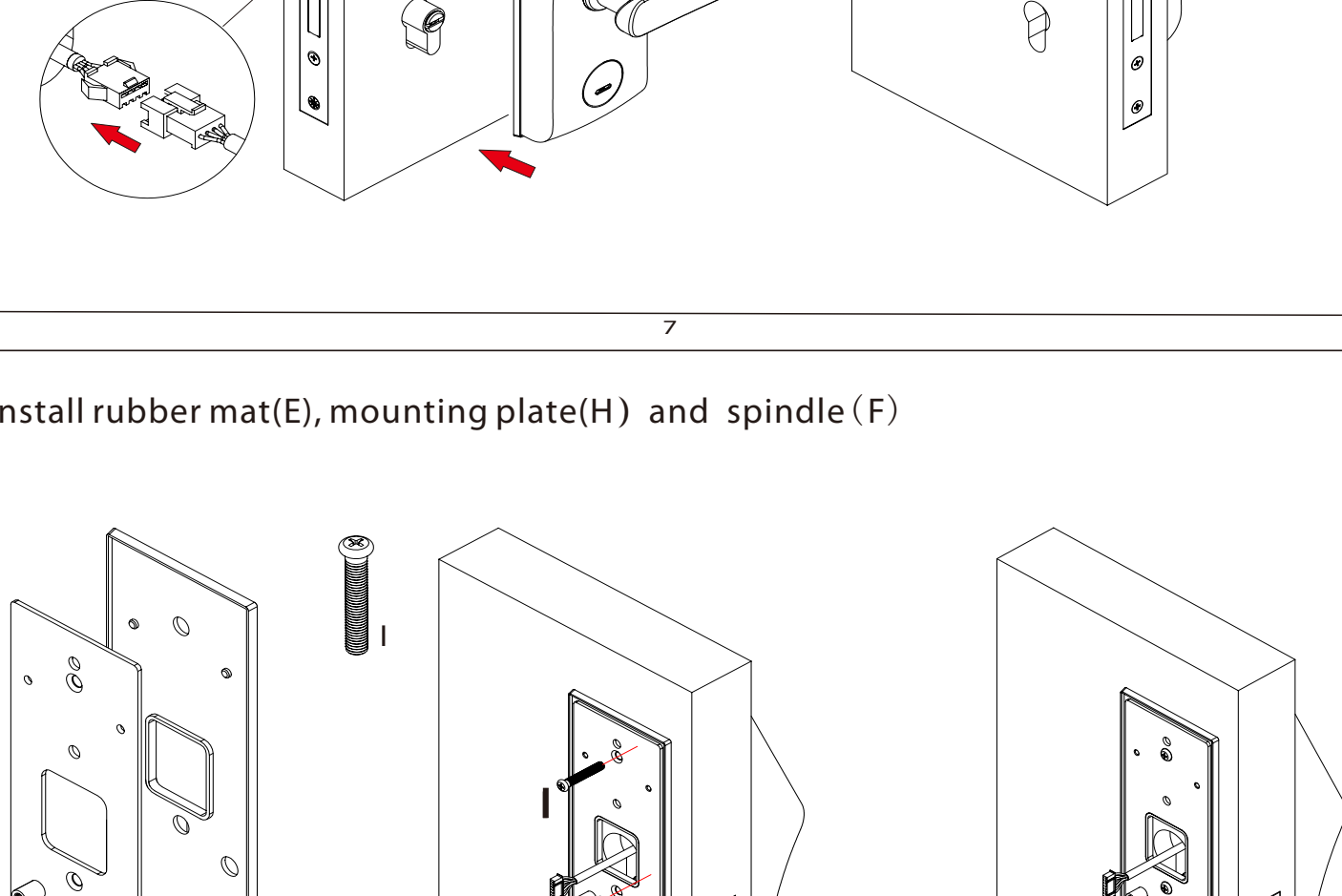
5. Fix rubber mat(E) on outdoor unit(G)



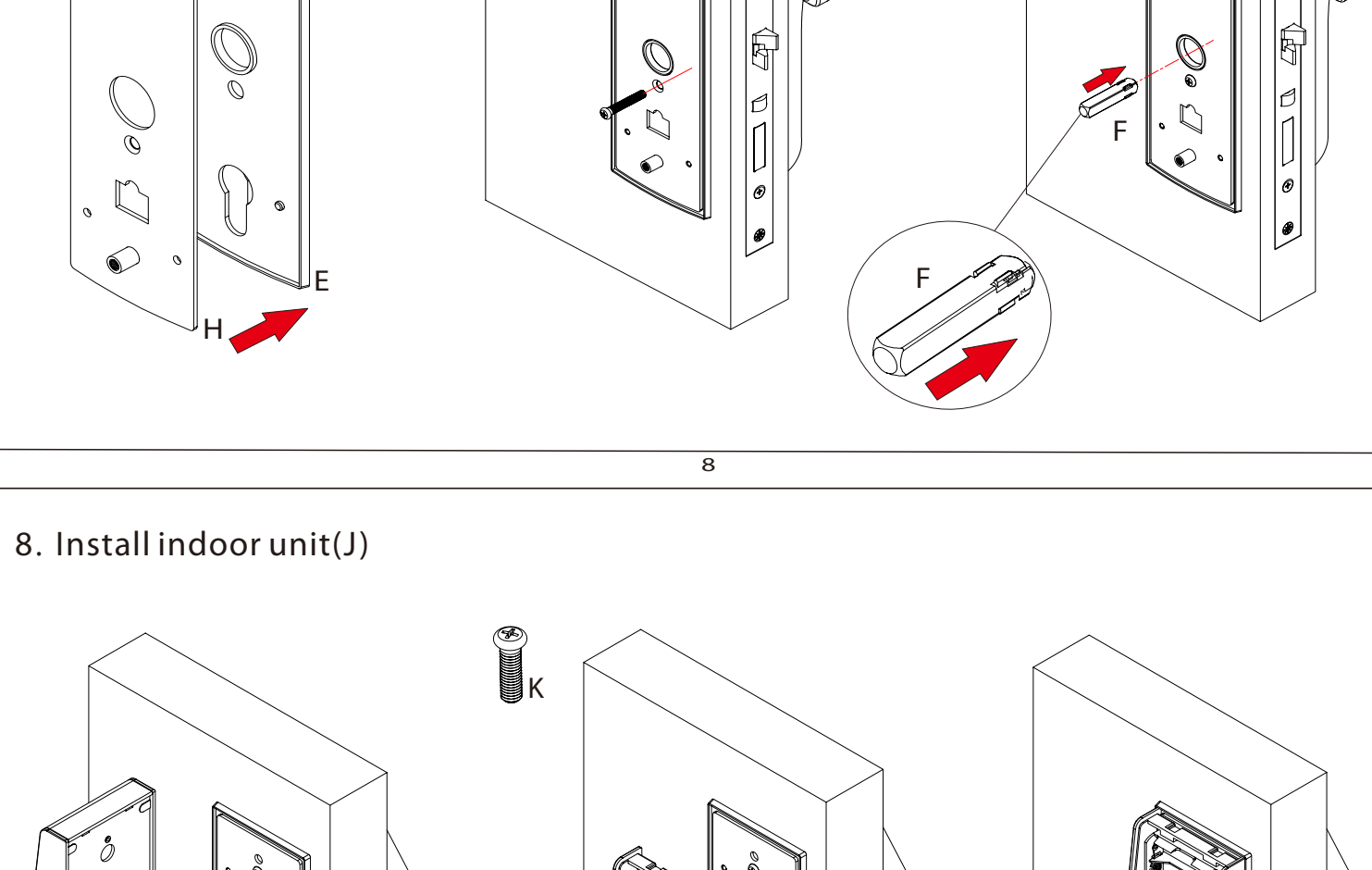
6. Install the outdoor unit(G)



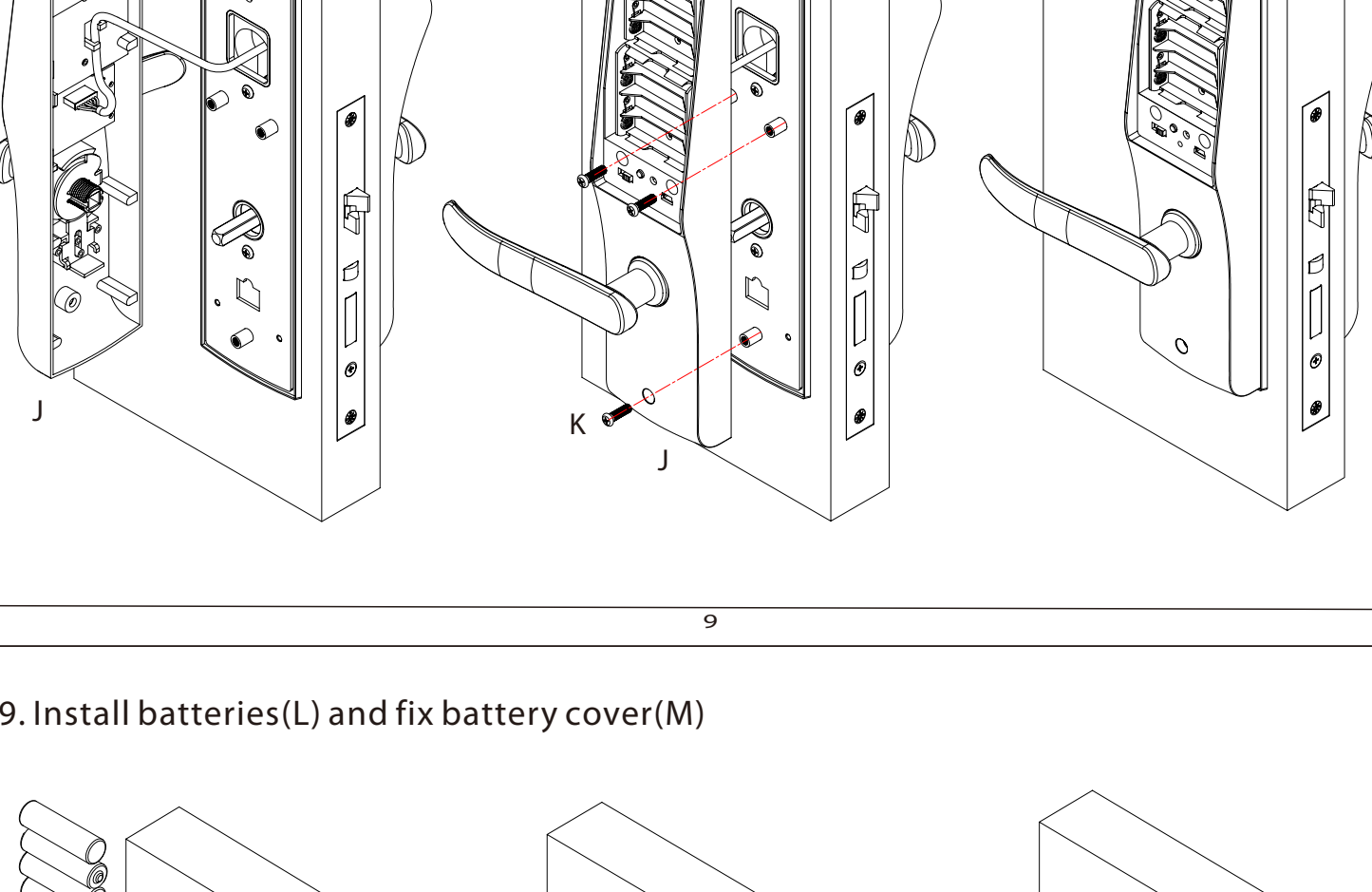
7. Install rubber mat(E), mounting plate(H) and spindle(F)



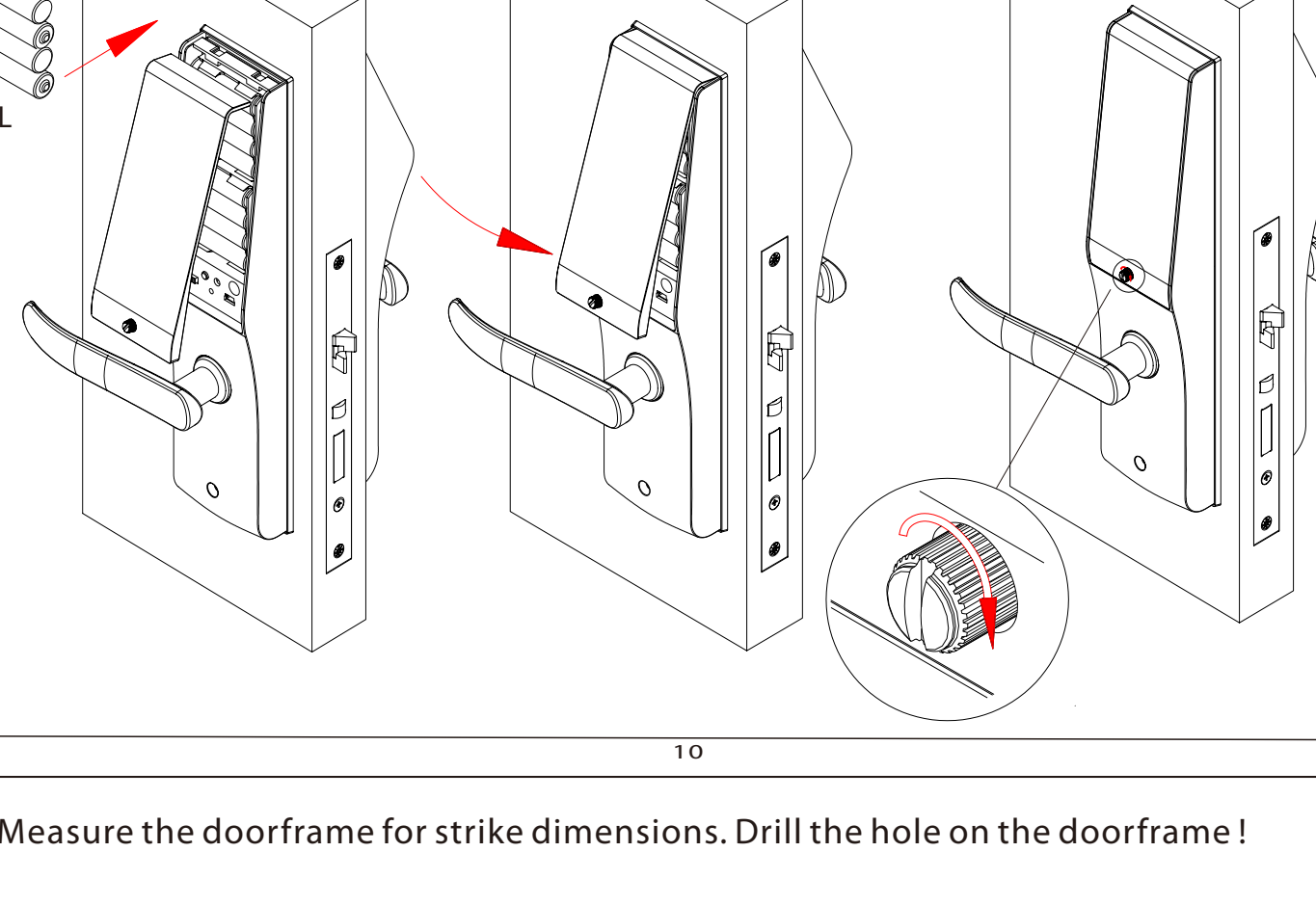
8. Install indoor unit(J)



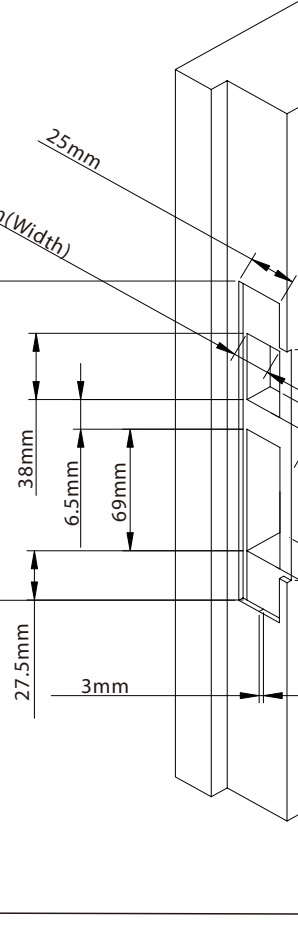
9. Install batteries(L) and fix battery cover(M)



10. Measure the doorframe for strike dimensions. Drill the hole on the doorframe !



11. Test the lock by rotating handle and emergency key(R)



Maintenance

1. When power is low, the lock will beep to remind user to renew the batteries.
2. Do not mix up the positive and negative while replacing battery.
3. Do not hang objects on the handle.
4. Avoid contact with corrosive objects.

Warm tips

1. Please keep the emergency key safe as backup.
2. Any questions, please do not hesitate to contact the seller.