

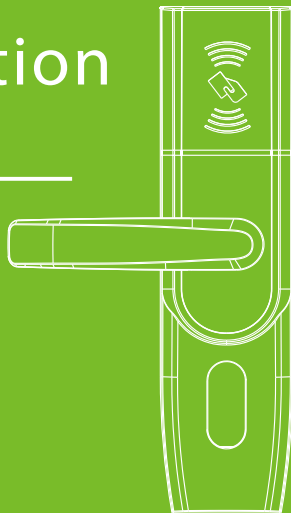
# Installation Instruction

LH5000

---

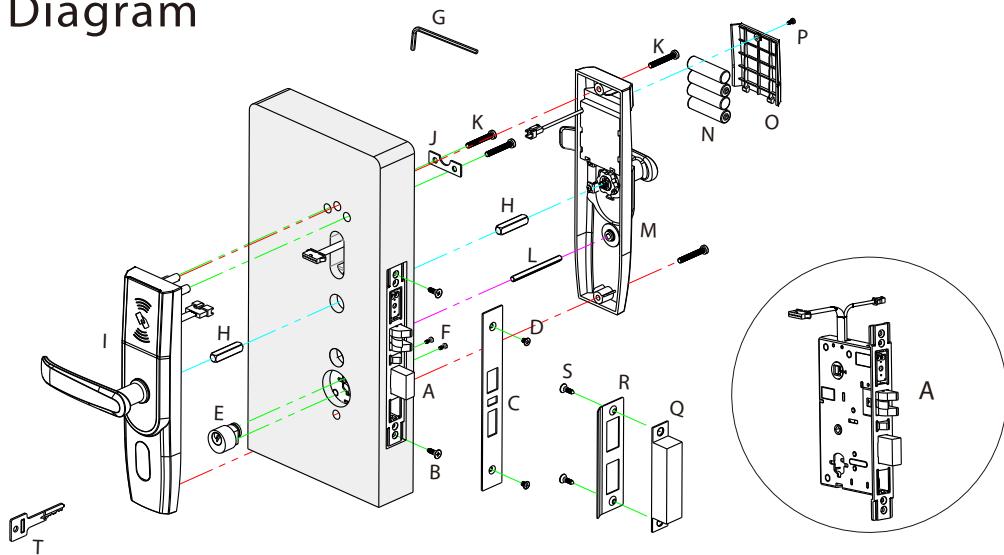
Version:1.0

Date: June 2014



# Diagram and Caution

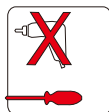
## Diagram



# Caution



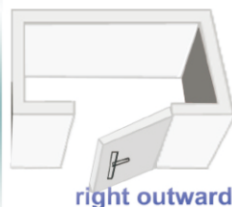
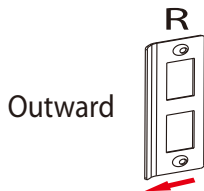
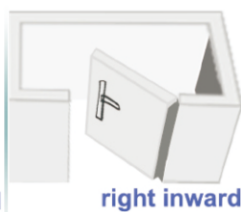
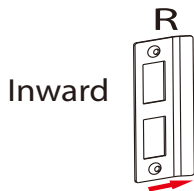
Do not overexert when tighten the screws.



Do not use electric tool to tighten the screws.

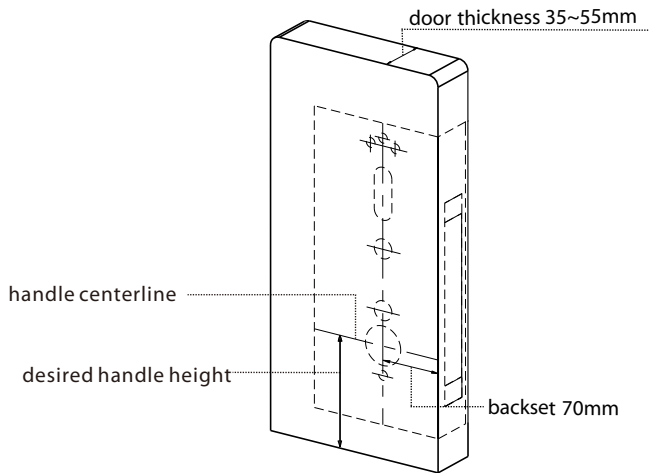


Please wear eye-protection device to protect your eyes when drilling and slotting

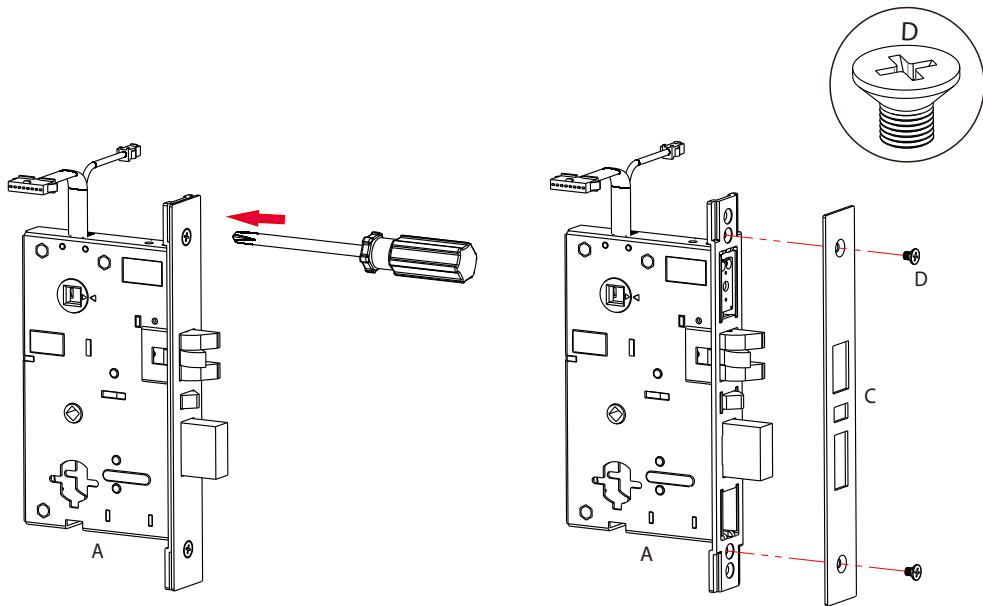


# Installation Step

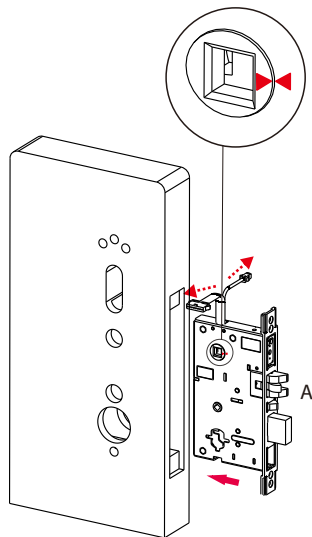
1. Align the template along the vertical center line of the mortise at the desired handle height, and tape it to the door. Drill the hole on the door.



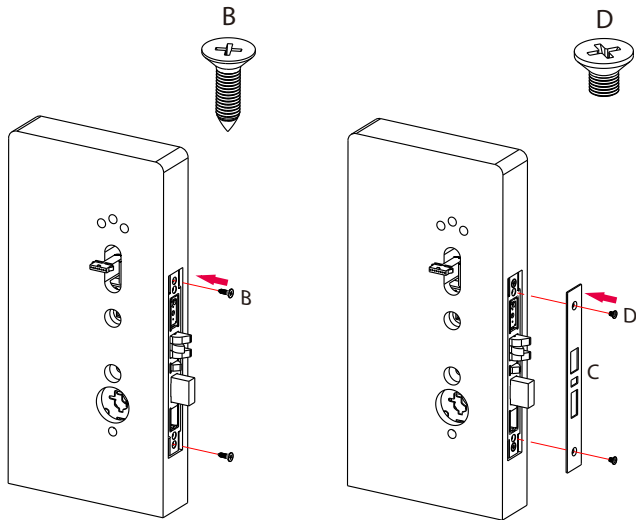
## 2. Remove two screws (D) from mortise latch plate



### 3. Install mortise (A)

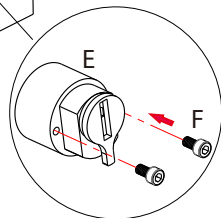
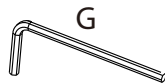
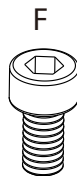
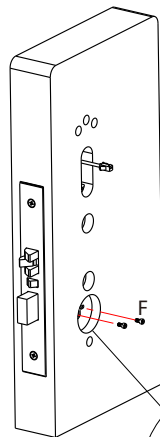
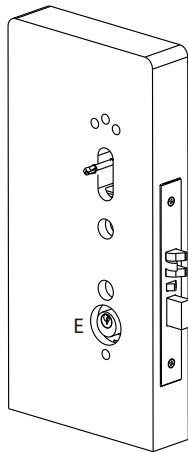
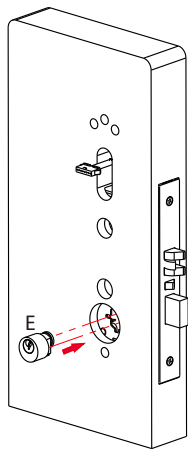


### 4. Install mortise latch plate (C)

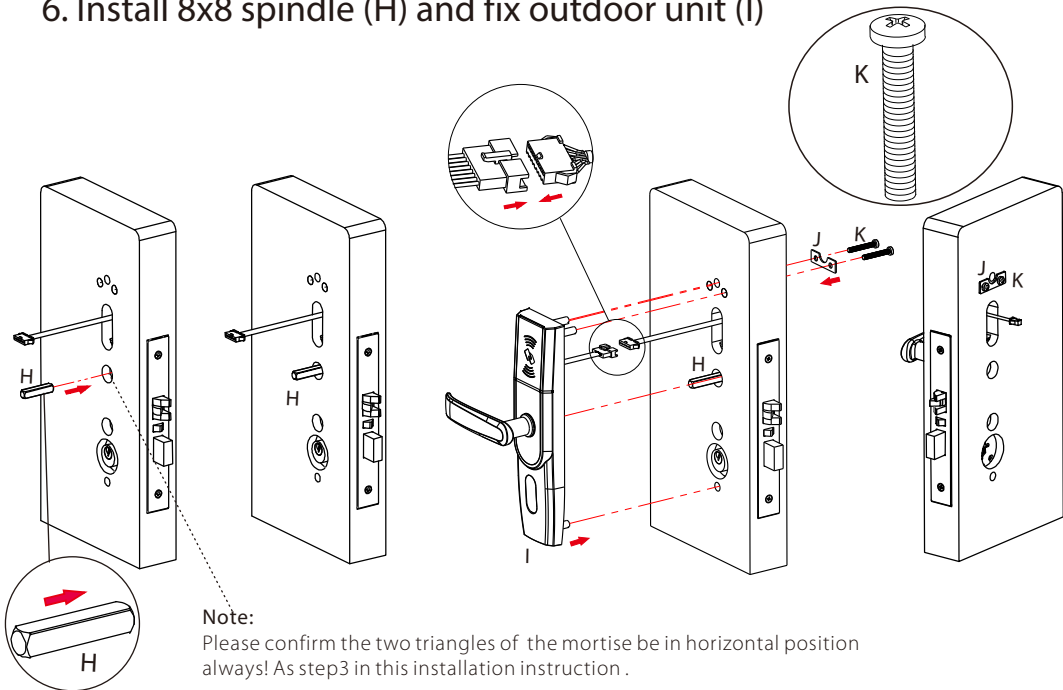


**Note:** Two Triangles on the mortise must be in horizontal alignment (as the above enlarged figure).

## 5. Install lock cylinder (E)

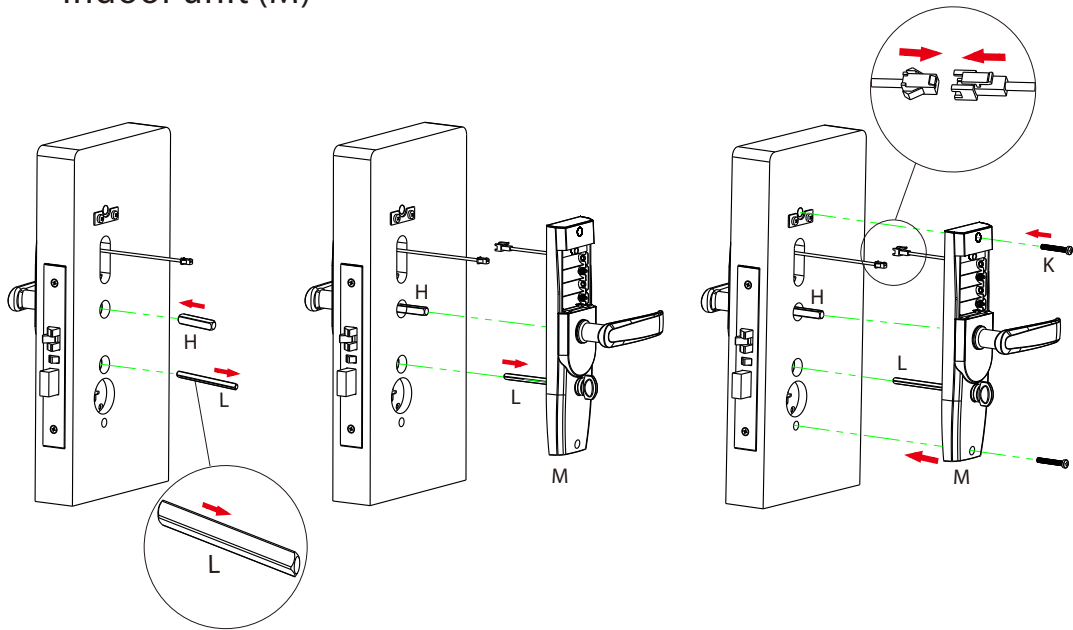


## 6. Install 8x8 spindle (H) and fix outdoor unit (I)

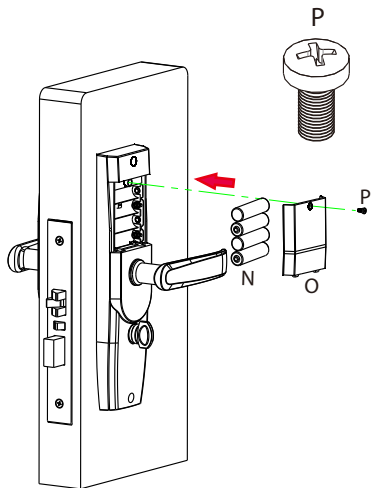




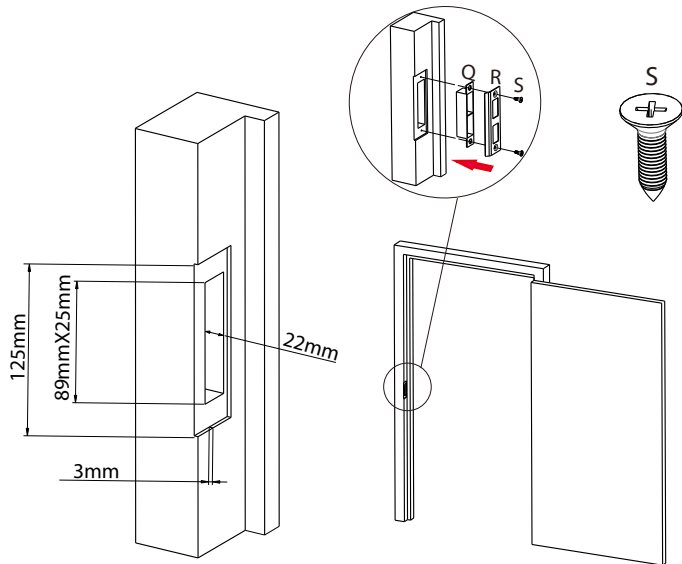
## 7. Install 8x8 spindle (H) and 5x5 spindle (L), and fix the indoor unit (M)



## 8. Install batteries (N)

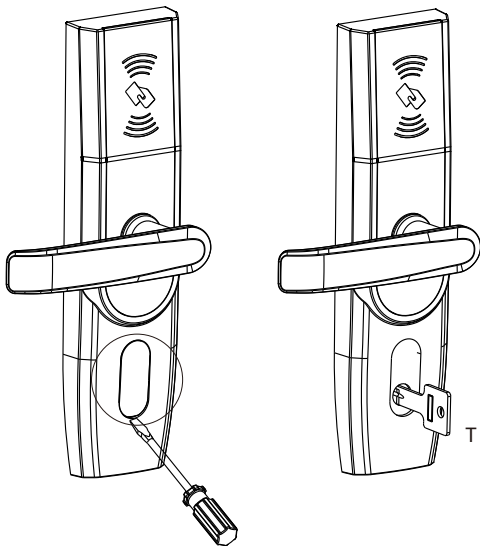


## 9. Measure the doorframe for strike dimensions and drill the hole



## 10. Test lock

1. Test lock by rotating handle and emergency key.
2. You can use emergency key by removing the cover on the lock cylinder with screwdriver or nails.



## Maintenance

1. Avoid contacting with corrosive substances.
2. Do not hang objects on the handle.
3. When battery power is lower, the lock will beep to remind user to renew the batteries.
4. Please do not mix up positive and negative while replacing battery.
5. To avoid leaking, it is better to renew battery at least once in half year. Do not use battery of poor quality.

## Warm tips

1. The demonstration figure in this installation instruction maybe different with your actual product, the actual product shall prevail.
2. The software within the lock manages the RFID cards, for more details please refer to the software user manual.
3. Please keep the emergency key in a safe place, as backup.
4. If there are any questions, please do not hesitate to contact the seller.