

QUICK START GUIDE

Applicable Models: ProCapture-T, ProRF-T

Version: 1.1

Date: Dec, 2015

Green
Label

Safety Precautions

Before installation, please read the following safety precautions for user safety and to prevent product damage.



Do not install the device in a place subject to direct sun light, humidity, dust or soot.



Do not place a magnet near the product. Magnetic objects such as magnet, CRT, TV, monitor or speaker may damage the device.



Do not place the device next to heating equipment.



Do not to let liquid like water, drinks or chemicals leak inside the device.



Do not let children touch the device without supervision.



Do not drop or damage the device.



Do not disassemble, repair or alter the device.



Do not use the device for any purpose other than those specified.



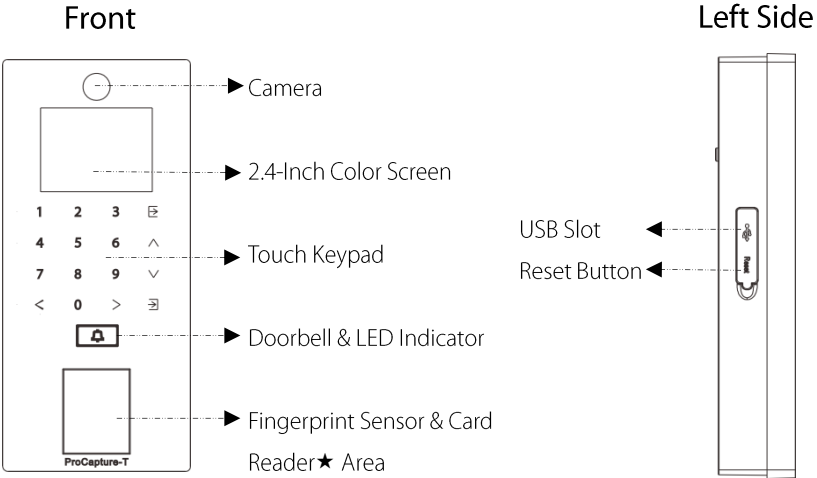
Clean the device often to remove dust on it. In cleaning, do not splash water on the device but wipe it out with smooth cloth or towel.

Contact your supplier in case of a problem!

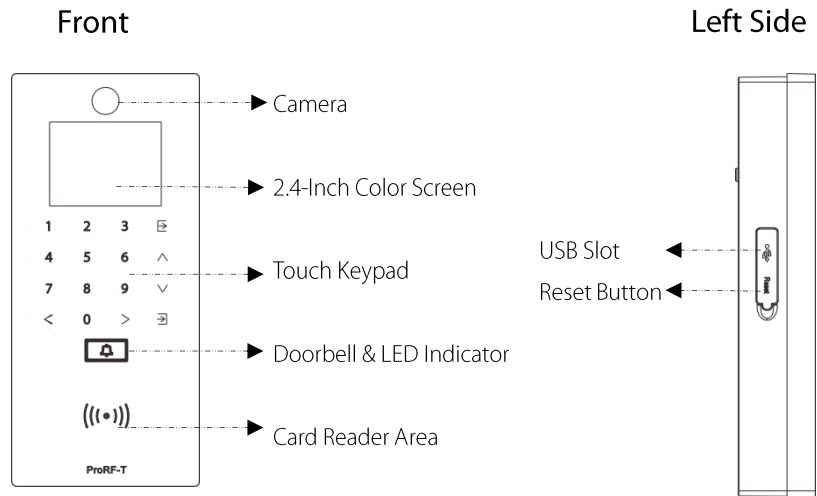
Device Overview

★Not all products have fingerprint or card function, the real product shall prevail.

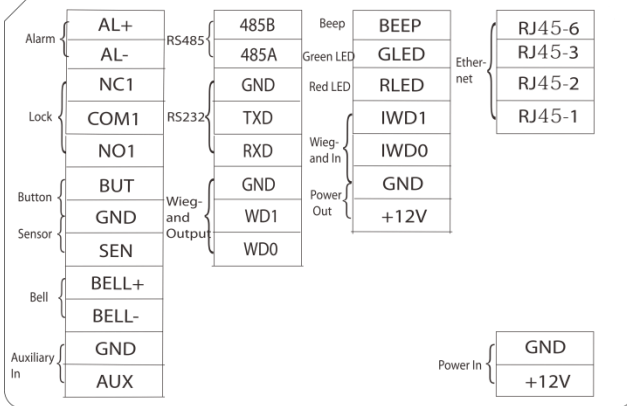
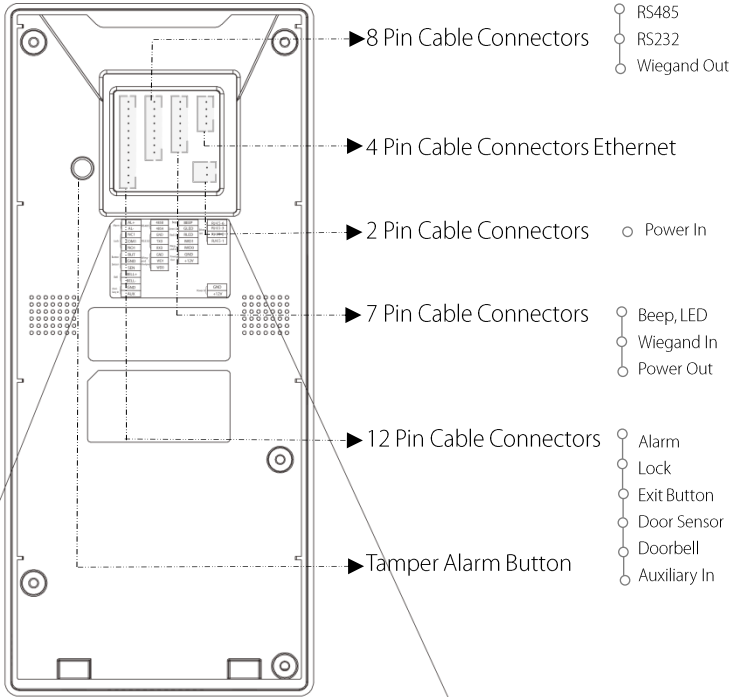
❖ ProCapture-T



❖ ProRF-T

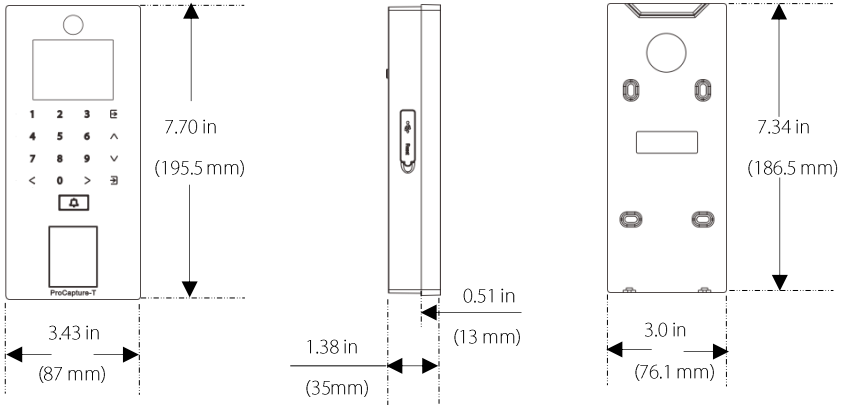


Device Overview

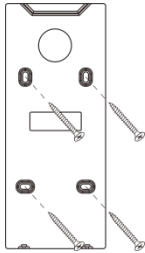


Product Dimensions & Installation

❖ Product Dimensions

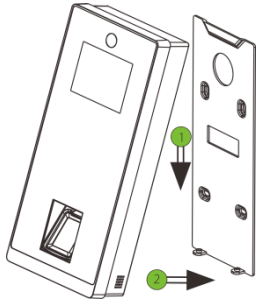


❖ Mounting the Device on Wall

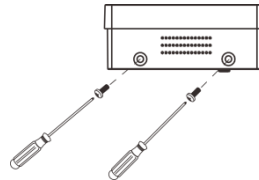


- 1 Fix the back plate onto the wall using wall mounting screws.

Note: We recommend drilling the mounting plate screws into solid wood (i.e. stud/beam). If a stud/beam cannot be found, use supplied drywall plastic anchors.



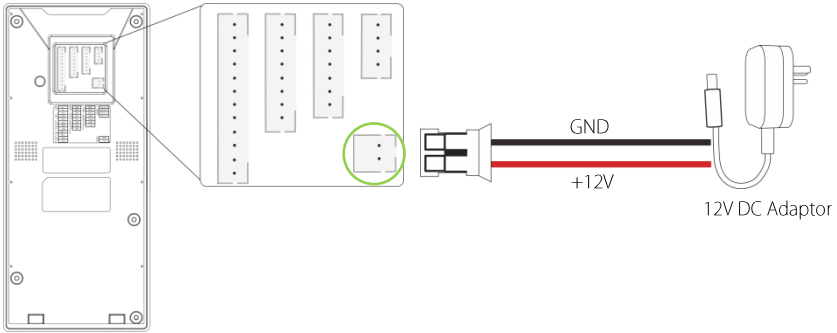
- 2 Insert the device to back plate.



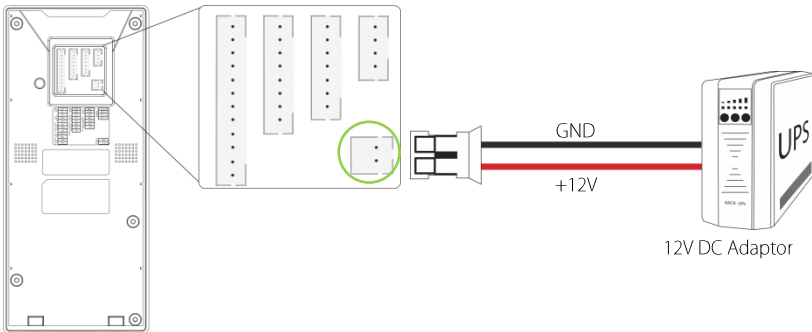
- 3 Use security screws to fasten the device to back plate.

Power Connection

❖ Without UPS



❖ With UPS (Optional)

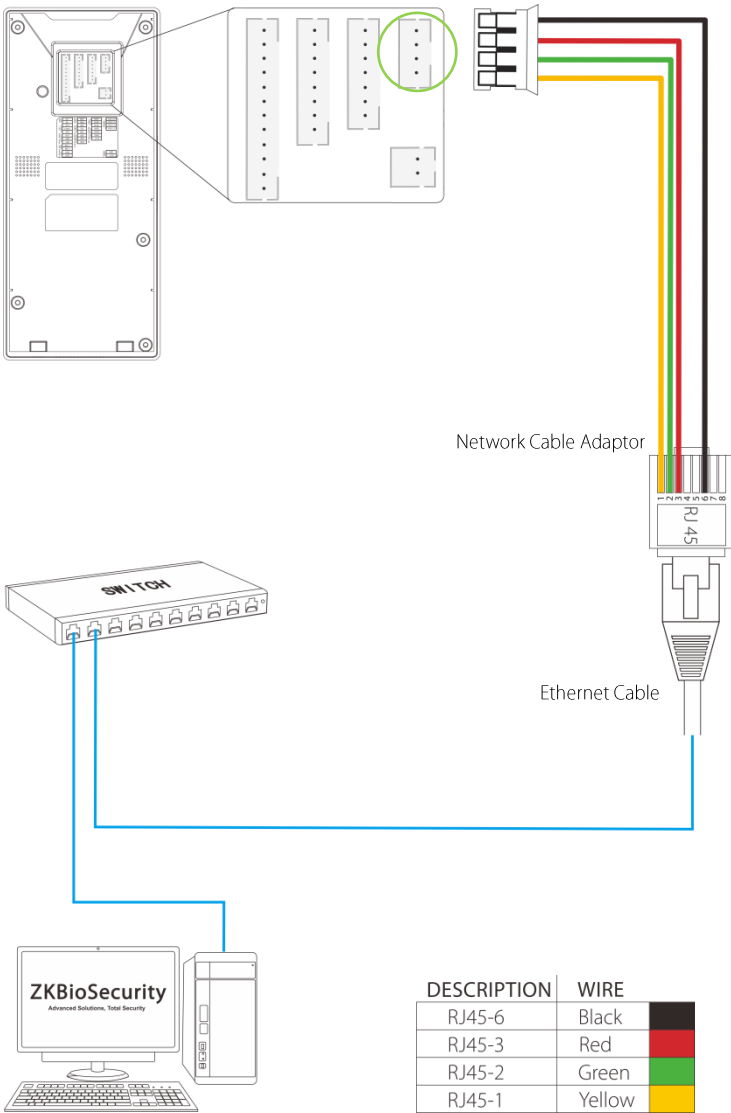


❖ Recommended Power Supply

- 12V±10%, at least 500MA.
- To share the power with other devices, use a power supply with higher current ratings.

Ethernet Connection

❖ LAN Connection



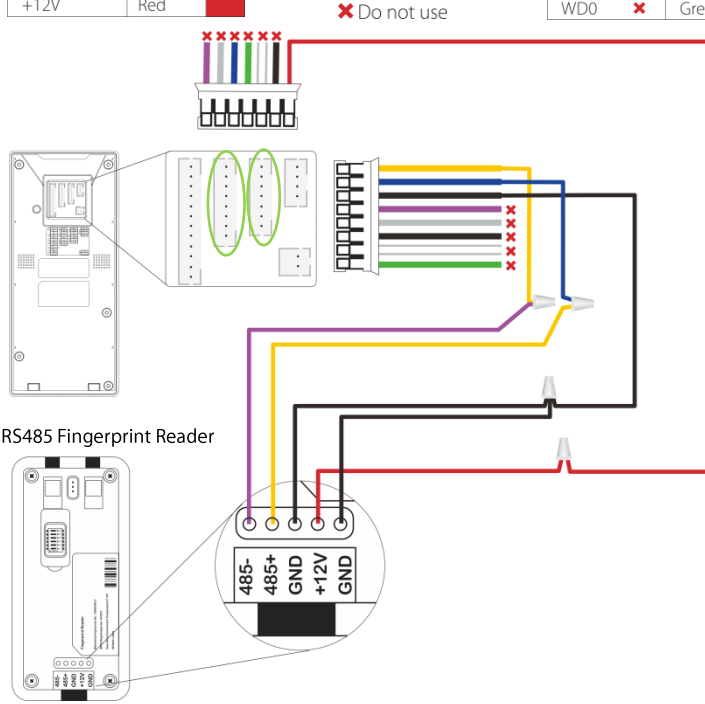
Note: The device can be connected to PC directly by Ethernet cable.

RS485 Connection

❖ RS485 Fingerprint Reader Connection

DESCRIPTION	WIRE
BEEP	✗ Purple
GLED	✗ Gray
RLED	✗ Blue
IWD1	✗ Green
IWD0	✗ White
GND	✗ Black
+12V	Red

DESCRIPTION	WIRE
485B	Yellow
485A	Blue
GND	Black
TXD	✗ Purple
RXD	✗ Gray
GND	✗ Black
WD1	✗ White
WD0	✗ Green



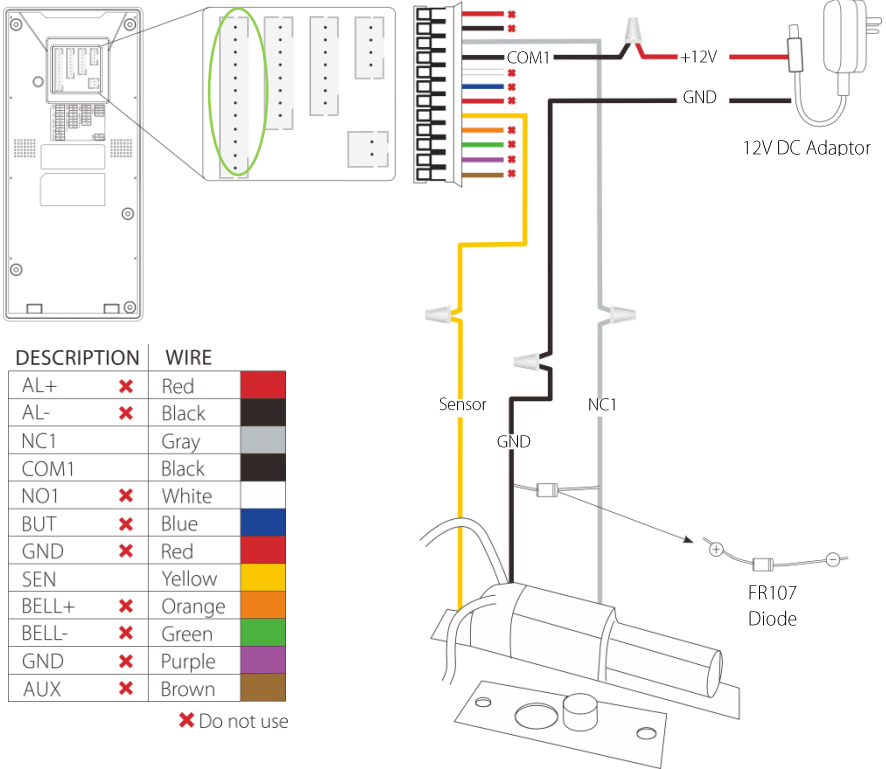
❖ DIP Settings

1. There are six DIP switches on the back of RS485 fingerprint reader, switches 1-4 are for RS485 address, switch 5 is reserved, switch 6 is for reducing noise on long RS485 cable.
2. If RS485 fingerprint reader is powered from the terminal, the length of wire should be less than 100 meters or 330 ft.
3. If the cable length is more than 200 meters or 600 ft., the number 6 switch should be ON as below.



Lock Relay Connection

❖ Device Not Sharing Power with the Lock



Normally Closed Lock

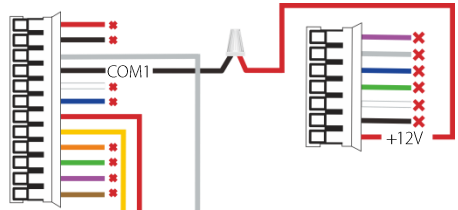
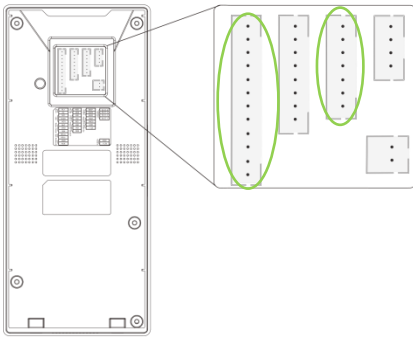
Notes:

1. The system supports **NO LOCK** and **NC LOCK**. For example the **NO LOCK** (normally opened at power on) is connected with '**NO1**' and '**COM1**' terminals, and the **NC LOCK** (normally closed at power on) is connected with '**NC1**' and '**COM1**' terminals.
2. When electrical lock is connected to the Access Control System, you must parallel one FR107 diode (equipped in the package) to prevent the self-inductance EMF from affecting the system.

Do not reverse the polarities.

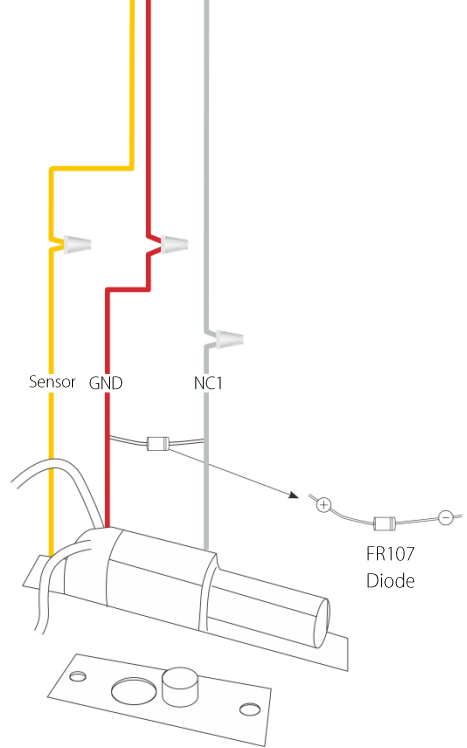
Lock Relay Connection

❖ Device Sharing Power with the Lock



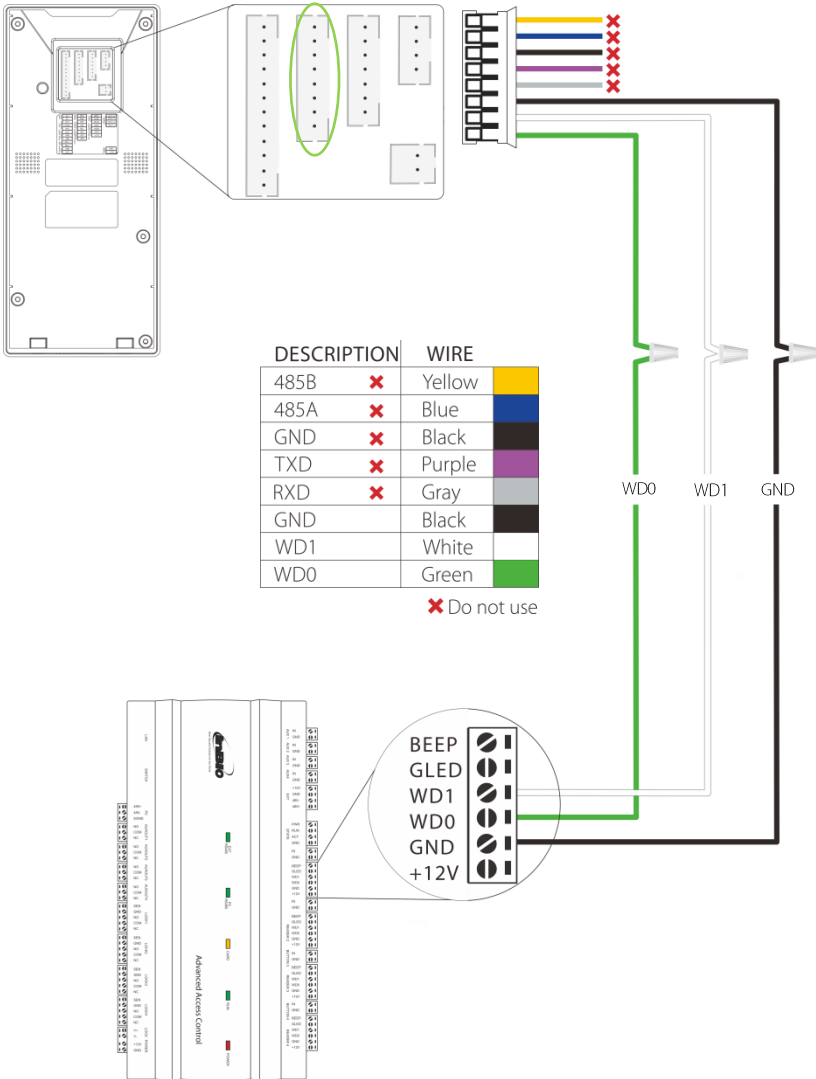
DESCRIPTION		WIRE	
AL+	✗	Red	
AL-	✗	Black	
NC1		Gray	
COM1		Black	
NO1	✗	White	
BUT	✗	Blue	
GND		Red	
SEN		Yellow	
BELL+	✗	Orange	
BELL-	✗	Green	
GND	✗	Purple	
AUX	✗	Brown	

✗ Do not use

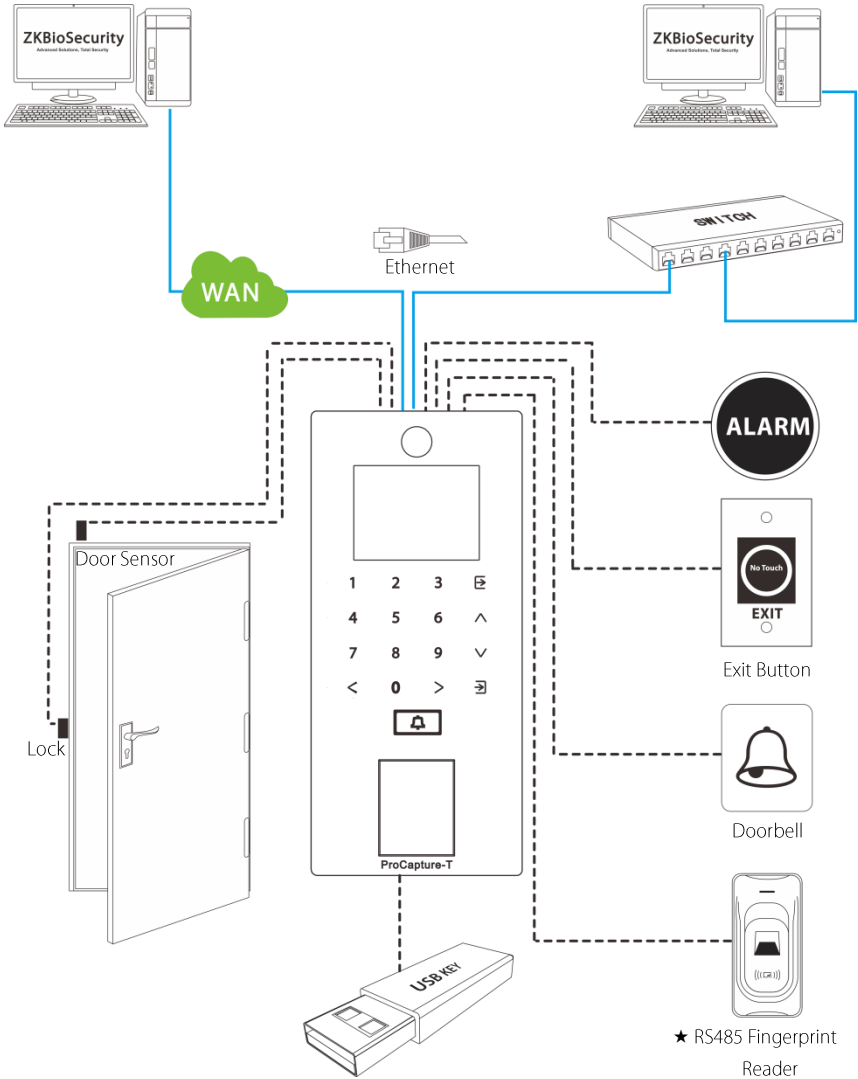


Normally Closed Lock

Wiegand Output Connection

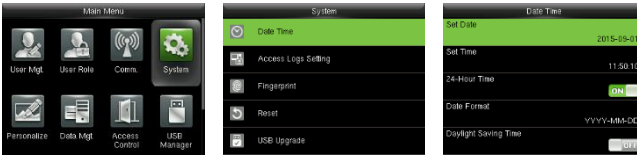


Standalone Installation



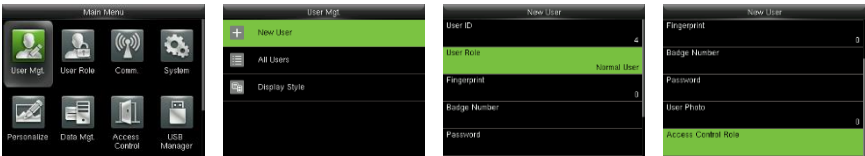
Device Operation

❖ Date / Time Settings



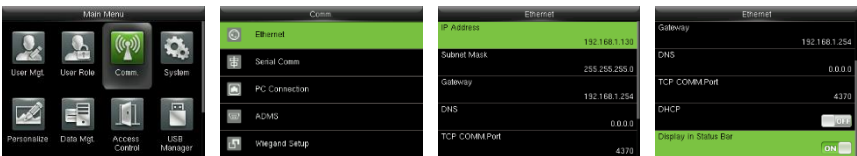
Press to enter the main menu and press to select System > Date Time to set date and time.

❖ Adding User



Press to enter the main menu and select User Mgt. > New User to enter the adding New User interface. Settings include inputting user ID, choosing user role (Super Admin / Normal User), registering fingerprint★ / badge number★ / password, taking user photo★ and setting access control role.

❖ Ethernet Settings



Press to enter the main menu and press to select Comm. > Ethernet.

The Parameters below are the factory default values. Please adjust them according to the actual network.

IP Address: 192.168.1.201

Subnet Mask: 255.255.255.0

Gateway: 0.0.0.0

DNS: 0.0.0.0

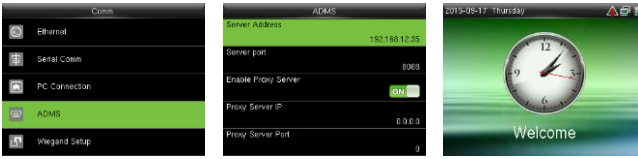
TCP COMM. Port: 4370

DHCP: Dynamic Host Configuration Protocol, which is to dynamically allocate IP addresses for clients via server. If DHCP is enabled, IP cannot be set manually.


Display in Status Bar: To set whether to display the network connection icon on the status bar of initial interface.

Device Operation

❖ ADMS Settings



Press \Rightarrow to enter the main menu and press $>$ to select Comm. $>$ ADMS, to set the parameters which are used for connecting with the ADMS server.

When the Webserver is connected successfully, the initial interface will display the  logo.

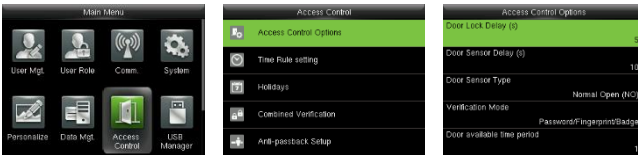
Server Address: Enter IP address of the ADMS server (namely, the IP address of server where the software is installed).

Server Port: Enter Port number used by the ADMS server.

Enable Proxy Server: Method of enabling proxy. To enable proxy, please set the IP address and port number of the proxy server. Entering proxy IP and server address will be the same.

Note: To connect the device to ZKBioSecurity software, Ethernet and ADMS options must be set correctly.

❖ Access Control Settings



Press \Rightarrow to enter the main menu and press $>$ and \checkmark to select Access Control.

To gain access, the registered user must meet the following conditions:

1. User's access time falls within either user's personal time zone or group time zone.
2. User's group must be in the access combo (when there are other groups in the same access combo, verification of members of those groups are also required to unlock the door).

Access Control Options: To set parameters of the lock and other related devices.

Time Rule Setting: To set a maximum of 50 time rules. Each time rule consists of 10 spaces (7 spaces for one week and 3 holiday spaces), each space consists of 3 time periods.

Holidays: To set dates of holiday and the access control time zone for that holiday.

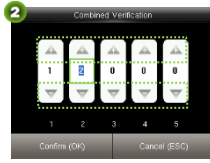
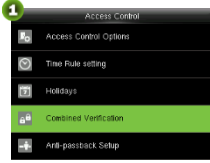
Combined Verification: To set access control combinations. A combination consists of a maximum of 5 access control groups.

Anti-Passback Setup: To prevent passing back which causes risks to security. Once it is enabled, entry and exit records must be matched in order to open door. In Anti-Passback, Out Anti-Passback and In / Out Anti-Passback functions are available.

Device Operation

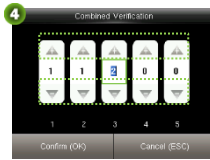
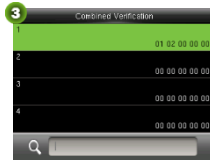
➤ Access Control Combination Settings

E.g.: Add an access control combination which requires 2 persons' verification from both group 1 (set in User Management) and group 2.



1. In "Access Control" interface, press \checkmark to select "Combined Verification"; then press \rightarrow to enter the "Combined Verification" list. Click the desired combination and press \rightarrow to enter the modification interface (shown as in figure 2).

2. Click \wedge or \vee to change the number, click $<$ or $>$ to switch editing box, set the user group number, and click \rightarrow to save and return to "Combined Verification" list (as shown in figure 3).



Note: 1. A single Access Control Combination can consist of a maximum of 5 user groups (in order to open door, verification of all 5 users is required).

2. If the combination is set as shown in figure 4, a user from access group 2 must obtain verification of two users from access group 1 in order to open door.

3. Set all group number to zero to reset access control combination.

❖ Troubleshooting

1. Fingerprint cannot be read or it takes too long?

- Check whether a finger or fingerprint sensor is stained with sweat, water or dust.
- Retry after wiping off finger and fingerprint sensor with dry paper tissue or a mildly wet cloth.
- If a fingerprint is too dry, blow on the finger and retry.

2. "Invalid time zone" is displayed after verification?

- Contact Administrator to check if the user has the privilege to gain access within that time zone.

3. Verification succeeds but the user cannot gain access?

- Check whether the user privilege is set correctly.
- Check whether the lock wiring is correct.
- Check whether anti-passback mode is in use. In anti-passback mode, only the person who has entered through that door can exit.

4. The Tamper Alarm rings?

- To cancel the triggered alarm mode, carefully check whether the device and back plate are securely connected to each other, and reinstall the device properly if necessary.

Green Label

ZK Building, Wuhe Road, Gangtou, Bantian, Buji Town,
Longgang District, Shenzhen China 518129

Tel: +86 755-89602345

Fax: +86 755-89602394

www.zkteco.com

