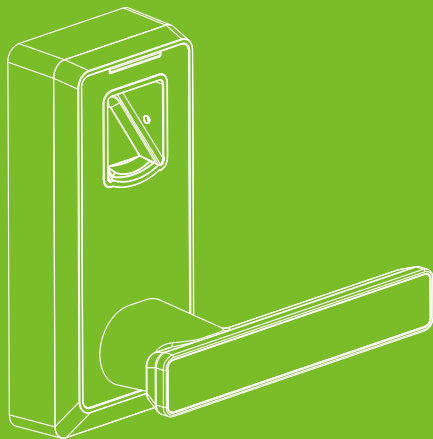


Installation Instruction

PL10/ML10

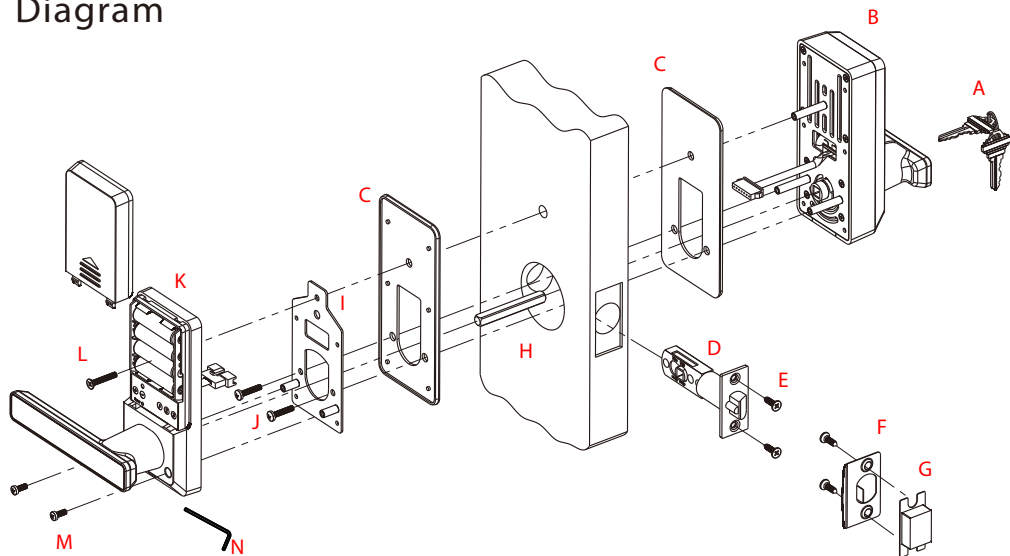
Version: 1.0

Date: Dec., 2014

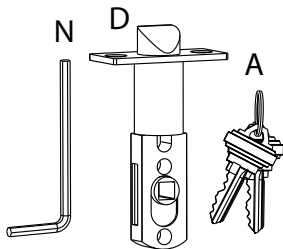
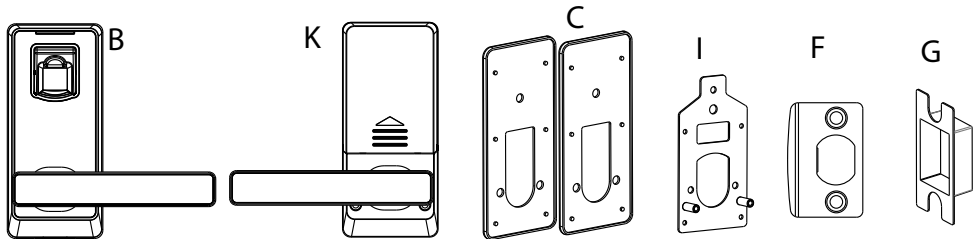


Before Installation

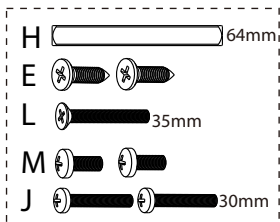
Diagram



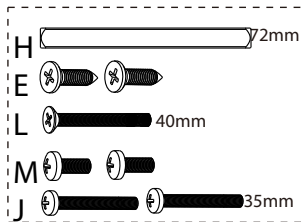
Packing List



Mounting Hardware Package
39-46mm door thickness



Mounting Hardware Package
47-54mm door thickness



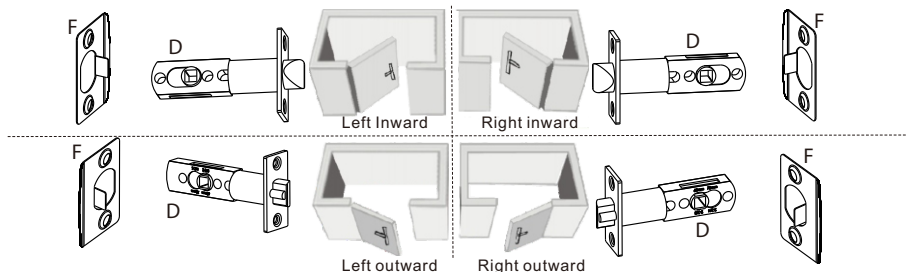
Door Preparation

1. Check door thickness and prepare the mounting hardware package.

Door Thickness (mm)	H Spindle Length (mm)	J Screw Length (mm)	M Screw Length (mm)	L Screw Length (mm)
30~38	56	20	10	25
39~46	64	30	10	35
47~54	72	35	10	40
55~60	80	45	10	50

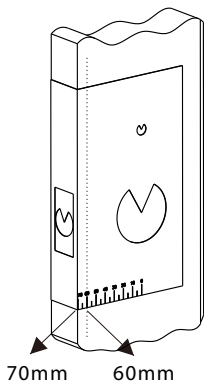
Note: The standard lock includes 2 mounting hardware package only, which is used for the door thickness of 39-46mm and 47-54 mm separately.

2. Check door open direction.

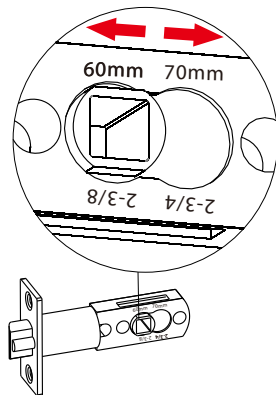


Note: Please refer the above picture to adjust the direction of strike plate F and latch D.

3. Check the required backset (60mm or 70mm).



Note1: Installation template has the backset options of both 60mm and 70mm.

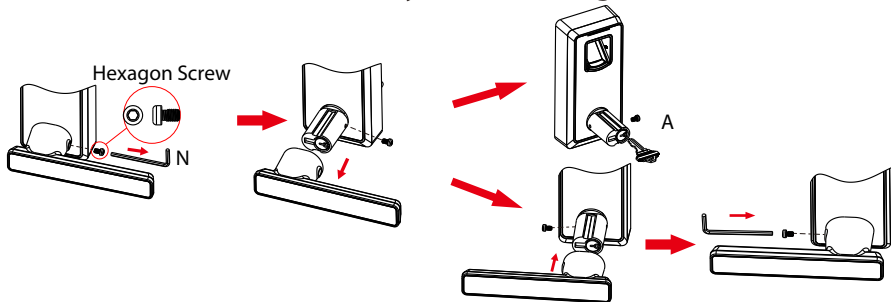


Note2: The latch has TWO backset options: 60mm or 70mm, please adjust it by yourself.

Cautions

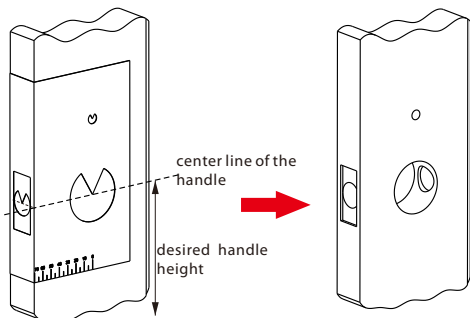
1. New lock is configured to grant ANY fingerprint access to unlock.
2. The lock is equipped with mechanical keys for manual unlocking. Remove mechanical keys from the package and keep them in a safe place.
3. To power on the lock, four alkaline AA batteries (not included) are required. Non-alkaline and rechargeable batteries ARE NOT RECOMMENDED.
4. Please avoid strong light direct to the fingerprint holder, otherwise the infrared sensor might be disturbed.
5. The operation of setting lock has a stand-by time limit of 10 seconds; Without any activity, lock will shut off after 10 seconds.
6. Keep your fingers clean when using this lock.

How To Use Mechanical Key And Change Handle Direction?



Installation

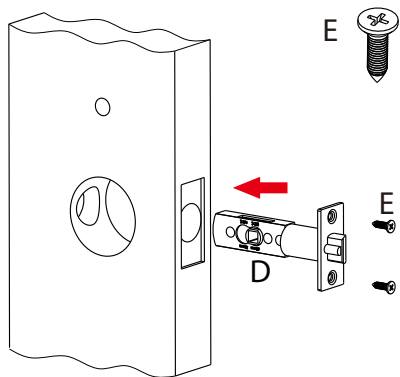
1. Drilling holes on the door.



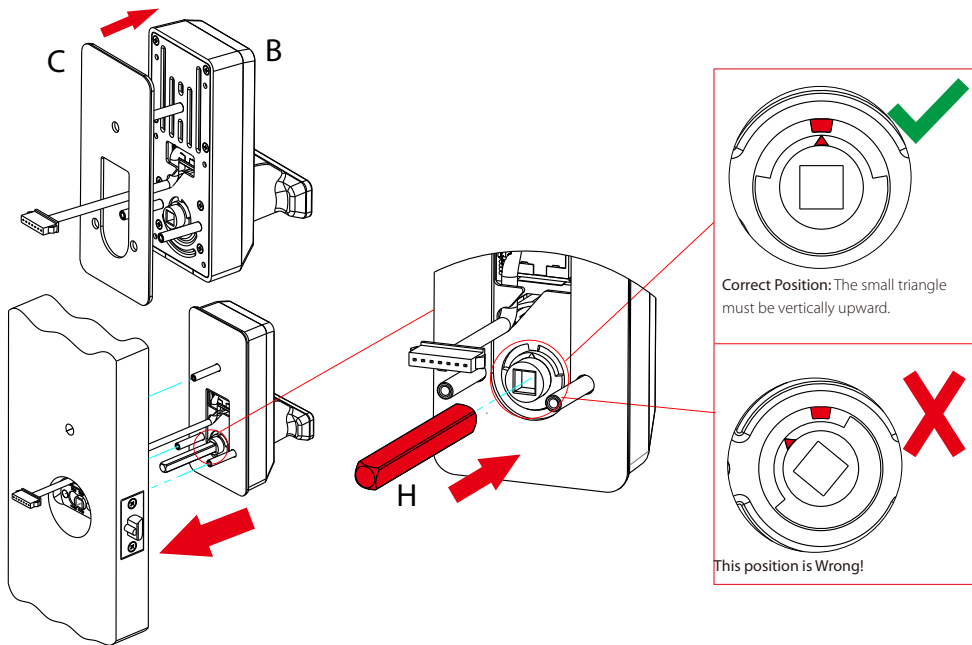
Note1: Align the template along the vertical center line of the latch (D) at the desired handle height, and tape it to the door.

Note2: Mark the holes first, then start drilling.

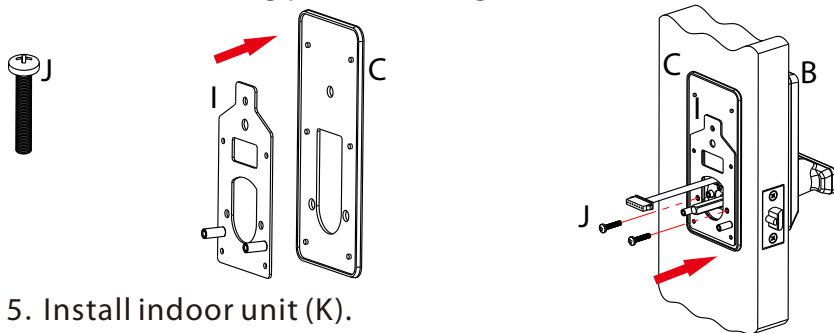
2. Install the latch (D).



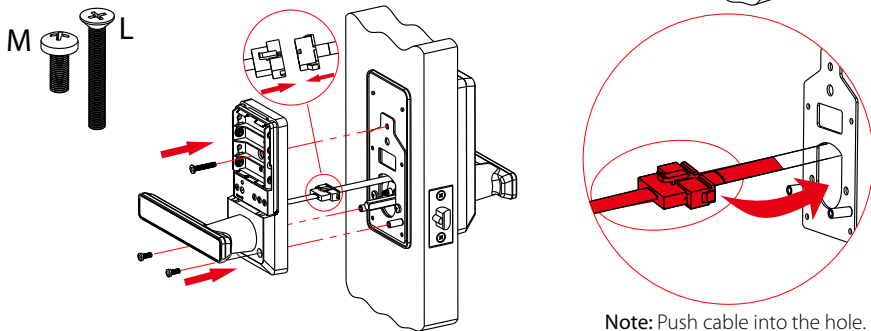
3. Install outdoor unit(B) with gasket(C) and spindle(H) on the door.



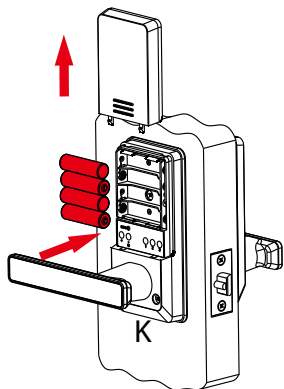
4. Install mounting plate (I) with gasket (C) on the door.



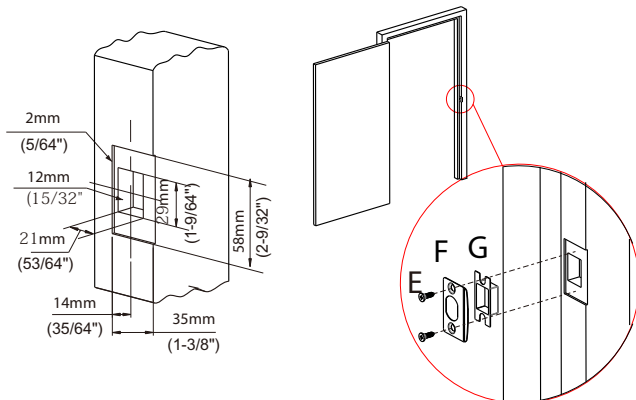
5. Install indoor unit (K).



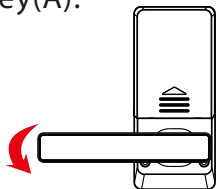
6. Install the battery.



7. Mark and drill holes for strike.



8. Testing the lock by rotating back handle and using mechanical key(A).



Note: When the door is locked, the clutch is in idle position, the front handle will be turned. However, the door will remain locked.