

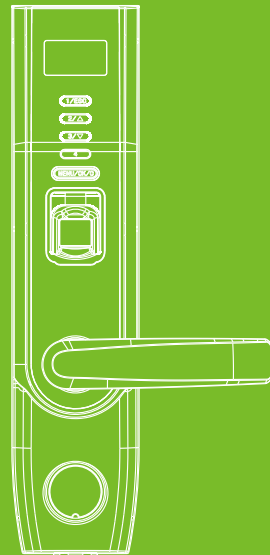
# Installation Instruction

L5000

---

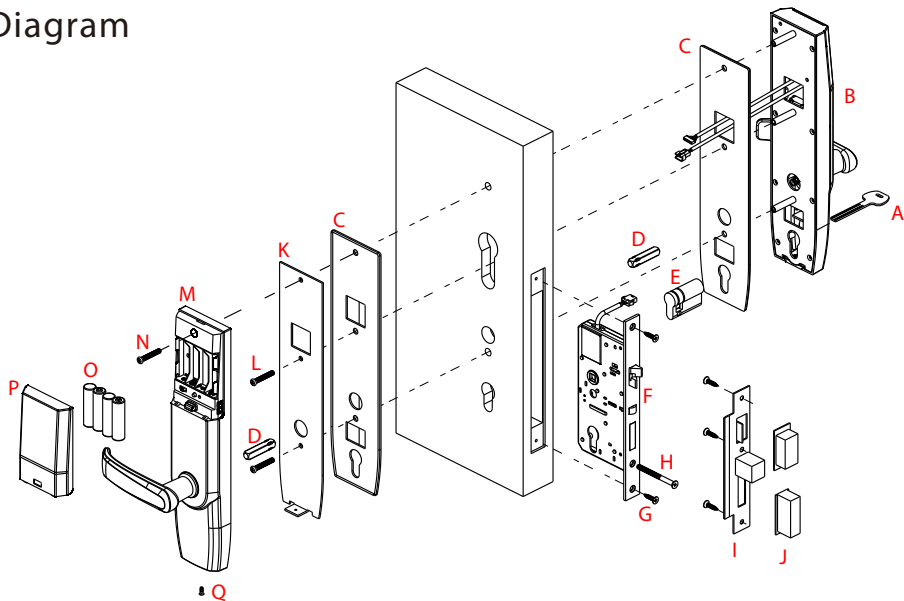
Version: 1.0

Date: Dec.,2014

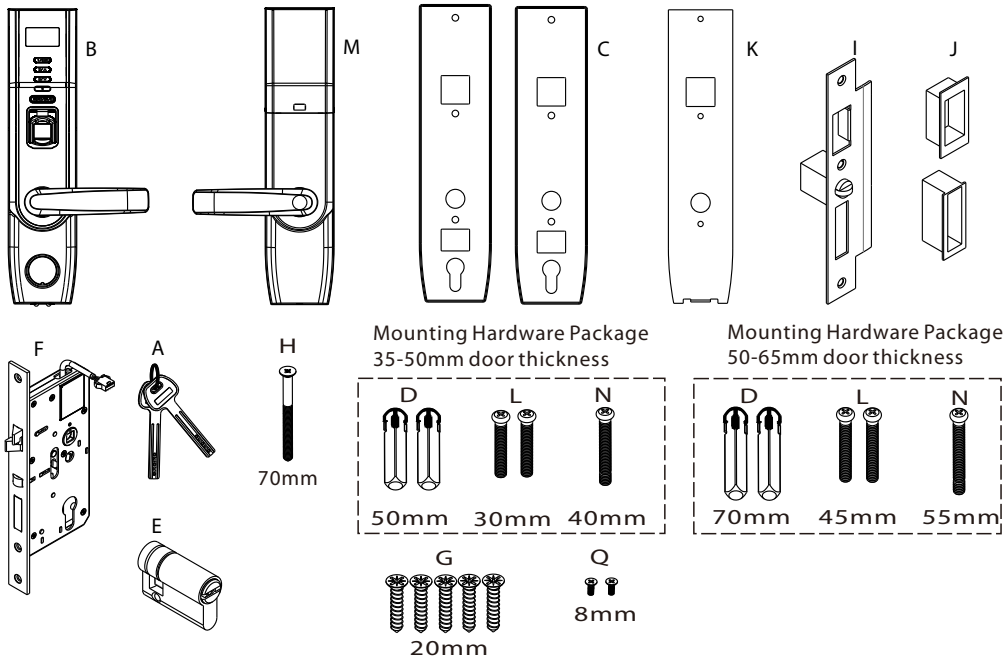


# Before Installation

## Diagram



# Packing List



# Door Preparation

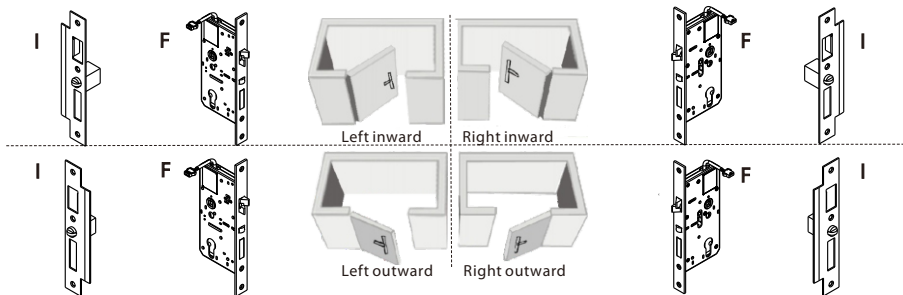
1. Check door thickness, prepare the mounting hardware package and cylinder.

Door Thickness (mm)	D Spindle Length (mm)	N Screw Length (mm)	L Screw Length (mm)	Q Screw Length (mm)	E Cylinder Length (mm)
35-50	50	40	30	8	40
50-65	70	55	45	8	50
65-80	70	70	60	8	60

**Note 1:** The standard lock includes 2 mounting hardware package only, which is used for the door thickness of 35-50mm and 50-65 mm separately.

**Note 2:** 40mm cylinder is recommended for the door thickness of 35-50mm. But, it can be used in the door thickness of 50 -65 mm if the mortise is not placed along the centerline of door side.

## 2. Check door open direction.



**Note 1:** Mortise (F) has 2 types: one is for left open, the other is for right open. Please use the correct one.

**Note 2:** Strike plate (I) has 2 types: one is for inward open, the other is for outward open. Please use the correct one.

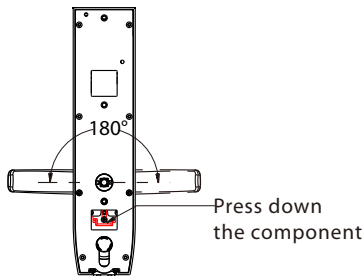
## Tips

### 1. How to change the handle direction?

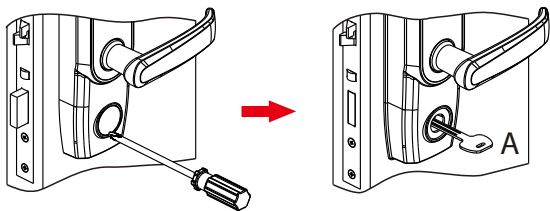
Press down the component pointed by the arrow.

At the same time, rotate the handle at 180°.

Then release your hand from the pressed component.



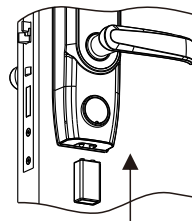
## 2. How to use mechanical key ?



Remove the cover on the key hole with screwdriver or nails.

Insert the key into key hole and rotate 90°.

## 3. How to use emergency power?

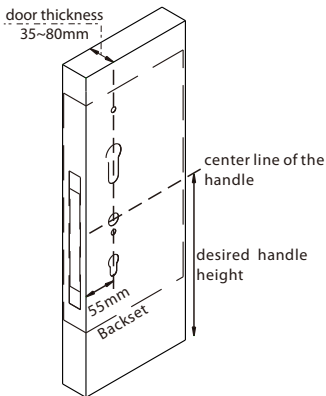


## Cautions

1. New lock is defined as always open mode.
2. Please register administrator firstly to prevent from any illegal access.
3. The lock is equipped with mechanical keys for manual unlocking. Remove mechanical keys from the package and keep them in a safe place.
4. To power on the lock, four alkaline AA batteries (not included) are required. Non-alkaline and rechargeable batteries ARE NOT RECOMMENDED.
5. Do not remove batteries when the lock is in working state.
6. The operation of setting lock has a stand-by time limit of 10 seconds. Without any activity, lock will shut off after 15 seconds.
7. Keep your fingers clean when using this lock.

# Installation

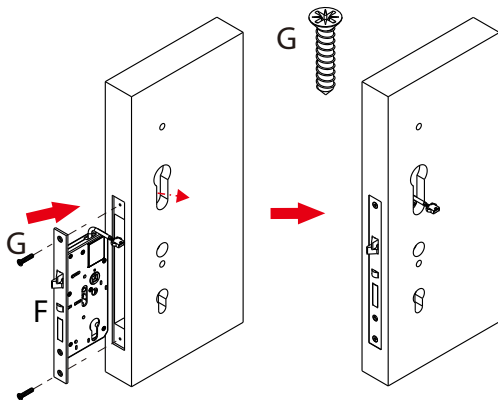
## 1. Drill holes on the door.



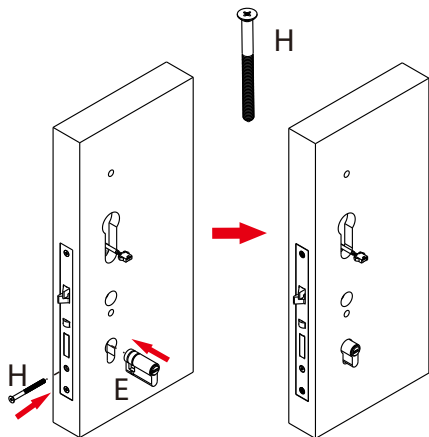
**Note 1:** Align the template along the vertical center line of the mortise (F) at the desired handle height, and tape it to door.

**Note 2:** Mark the holes first, then start drilling.

## 2. Install the mortise(F).

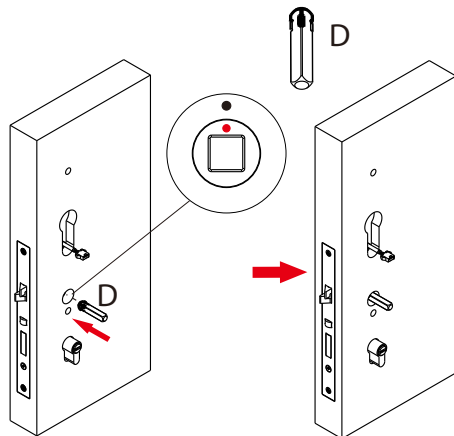


### 3. Install lock cylinder(E).



**Note:** Install lock cylinder in right direction, then tighten screw (H) to fix it.

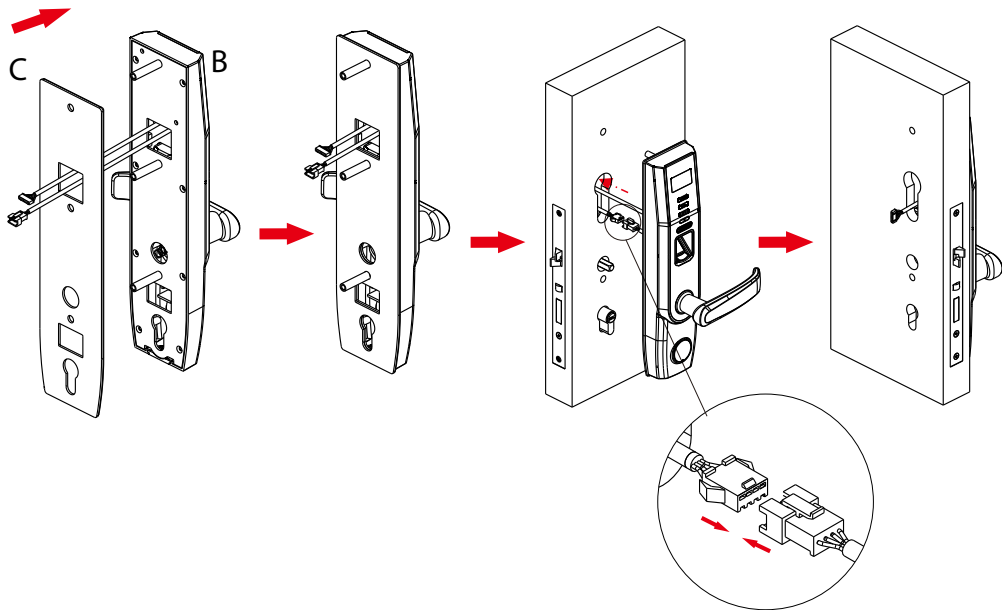
### 4. Install spindle(D).



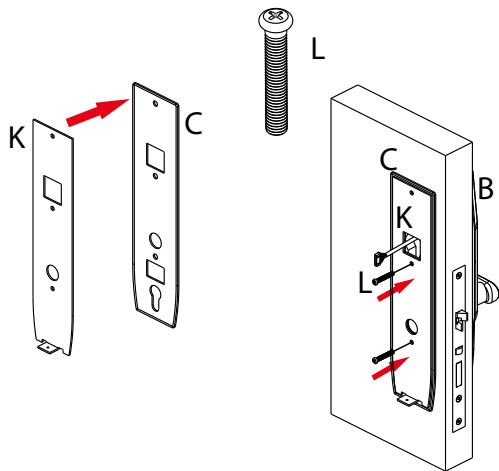
**Note:** Ensure the red dot have to be vertically upward.



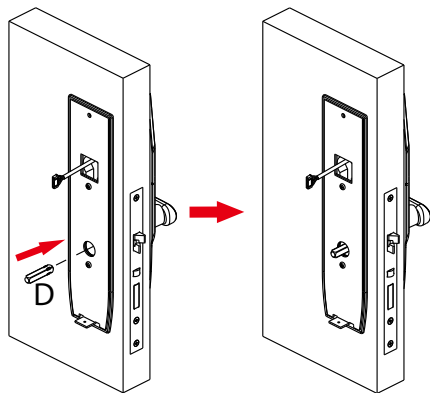
## 5. Install outdoor unit(B) with gasket(C).



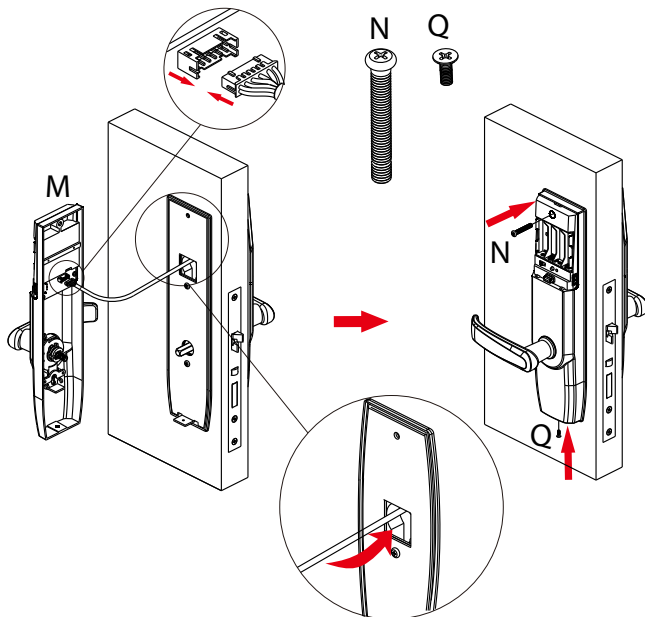
6. Install mounting plate (K) with gasket (C) on the door.



7. Install spindle (D) on the door.

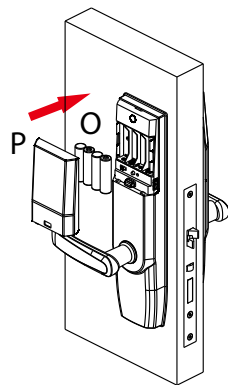


## 8. Install indoor unit (M).

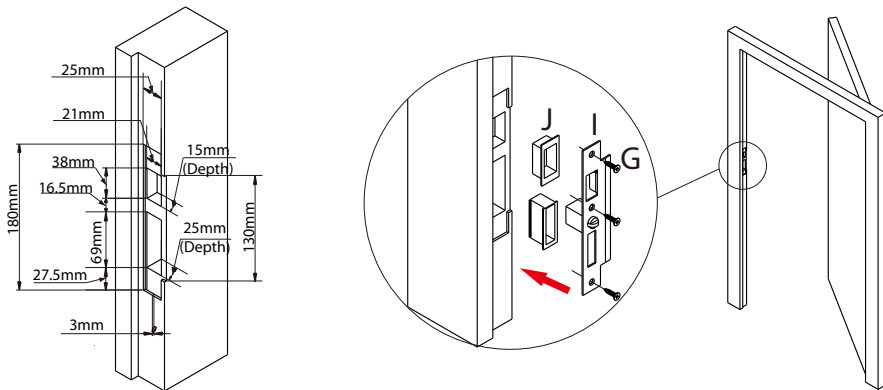


**Note:** Push cable into the hole.

## 9. Install the battery (O).



## 10. Mark and drill holes for striking.



## 11. Test the lock by mechanical key(A) or registered fingerprint.

