

# QUICK START GUIDE

## Outdoor & Multi-Biometric Access Control Terminal

---

Applicable Model: G5

Version: 1.0

Date: May 2023

# Safety Precautions

Before installation, please read the following precautions carefully to prevent the risks of danger to the users of this product or those nearby and damaging the device.



**Do not** expose to direct sunlight, water, dust and soot.



**Do not** place any magnetic objects near the product. Magnetic objects such as magnets, CRT, TV, monitors or speakers may damage the device.



**Do not** place the device next to heating equipment.



**Prevent** water, drinks or chemicals leaking into the device.



This product is not intended for use by children unless they are supervised.



**Do not** drop or damage the device.



**Do not** disassemble, repair or modify the device.



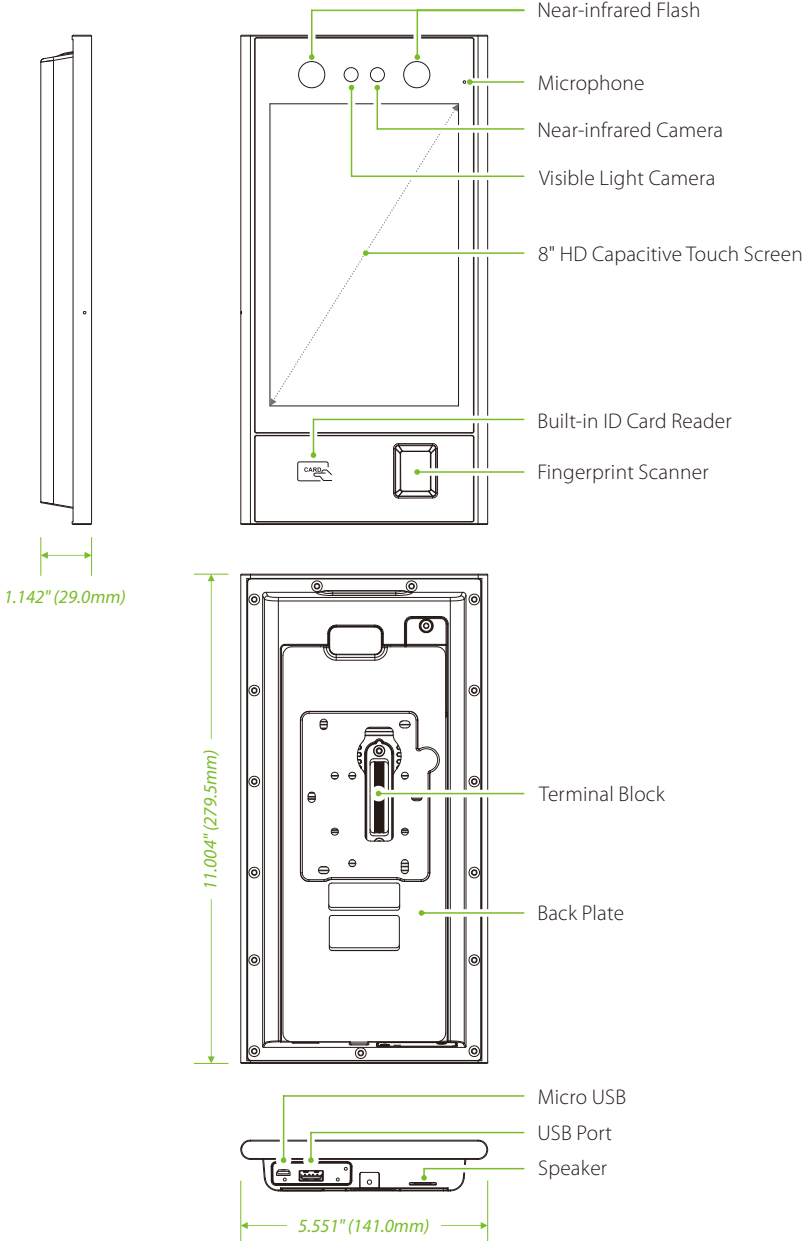
**Do not** use the device for any purpose other than those specified.



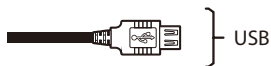
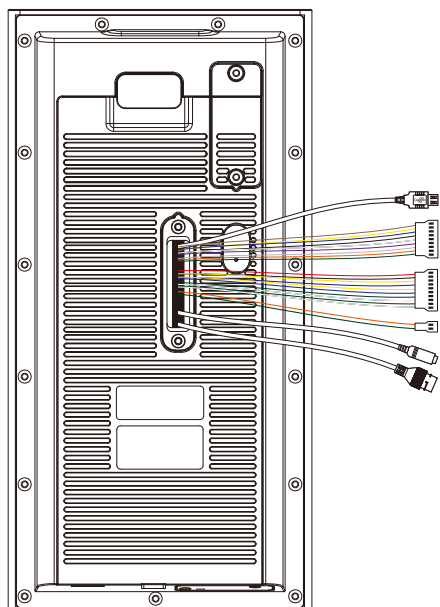
**Remove** dusts or dirt regularly. While cleaning, wipe dust off with a smooth cloth or towel instead of water.

Contact your supplier in case of any problem!

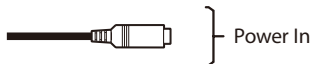
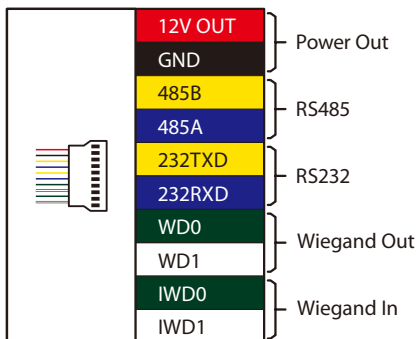
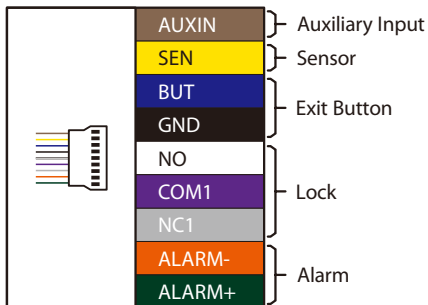
# Device Overview



# Terminal Block



USB



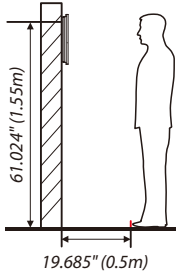
Power In



Ethernet

# Product Installation

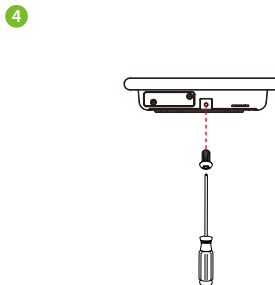
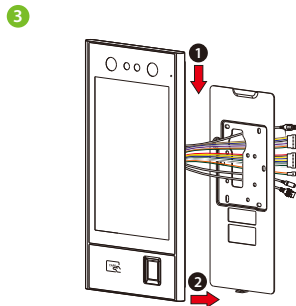
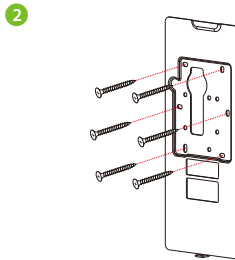
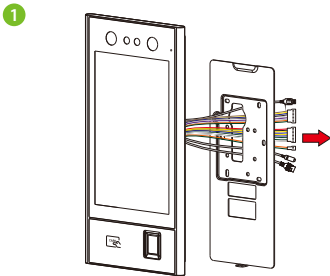
## ❖ The recommended distance



For users whose height is between 55.118" to 70.866" (1.4m to 1.8m), the recommended height of the equipment is 61.024" (1.55m), and the distance from the personnel to the equipment is 19.685" (0.5m). Users not in the range can adjust the position by moving back and forth according to the actual situation.

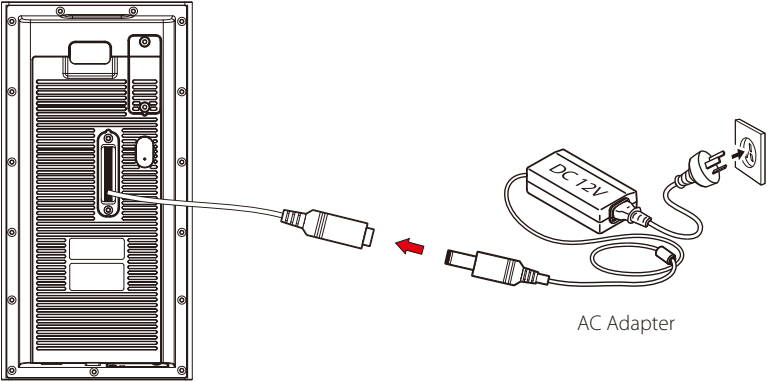
## ❖ Installation on the wall

- ① First passing the wires through the wiring hole in the back plate.
- ② Drill holes at suitable locations on the wall, then fix the back plate to the wall with mounting screws, the recommended distance from the camera to the ground is 61.024 inches (1.55m).
- ③ Then attach the device to the back plate from top to bottom.
- ④ Fasten the device to the back plate with a security screw.



# Power & Ethernet Connection

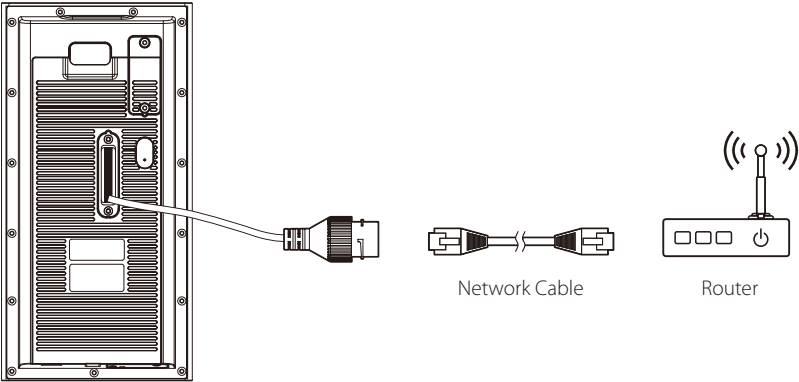
## ❖ Power Connection



### Recommended power supply

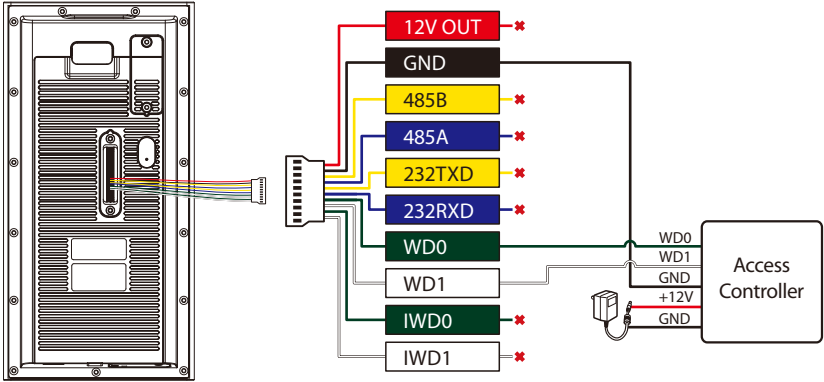
- Recommended AC adapter: **12V, 3A**
- To share the power with other devices, use an AC adapter with higher current ratings.

## ❖ Ethernet Connection



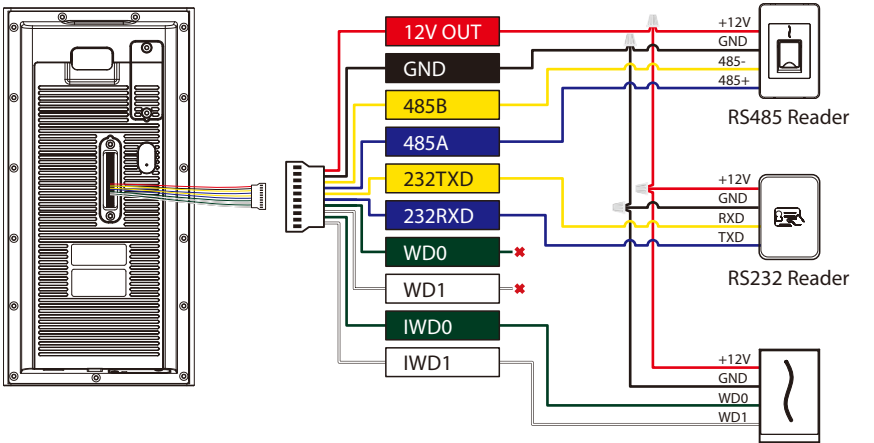
# Access Control & Reader Connection

## ❖ Access Control Connection



❌ Do not use

## ❖ Reader Connection

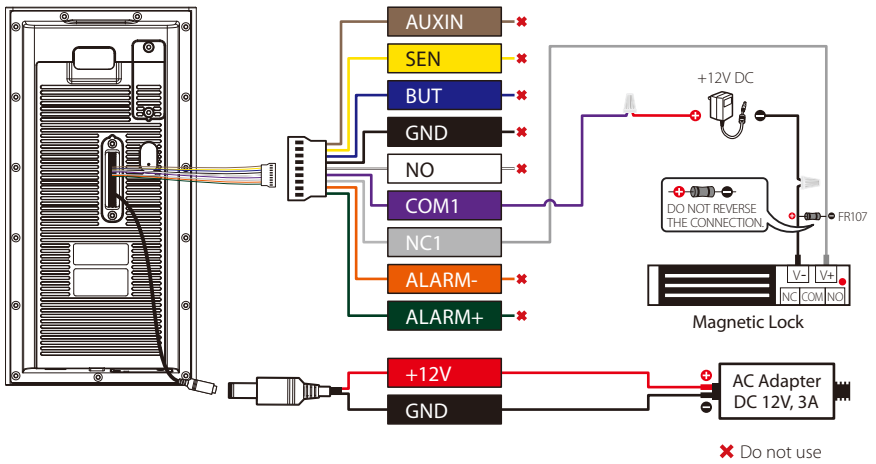


❌ Do not use

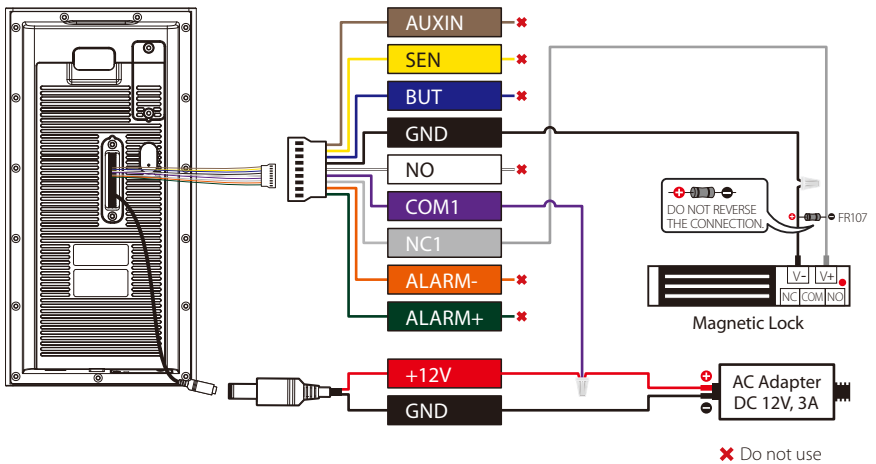
# Lock Relay Connection

The system supports both **Normally Opened Lock** and **Normally Closed Lock**. The **NO Lock** (Normally Opened when powered) is connected with 'NO' and 'COM' terminals, and the **NC Lock** (Normally Closed when powered) is connected with 'NC' and 'COM' terminals. The power can be shared with the lock or can be used separately for the lock, as shown in the example with NC Lock below:

❖ Device not sharing power with the lock is shown below:



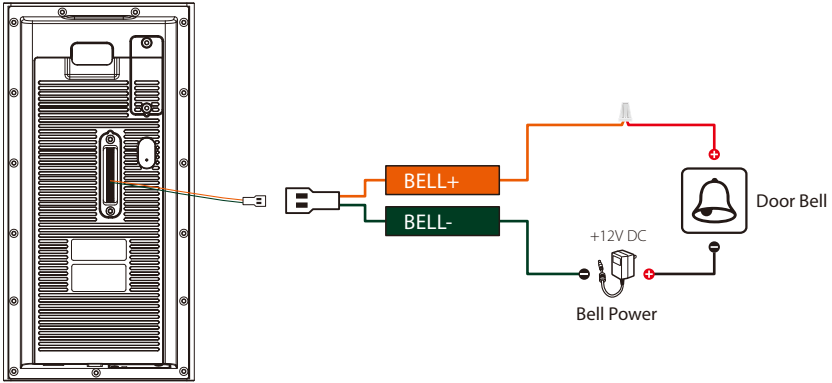
❖ Device sharing power with the lock is shown below:



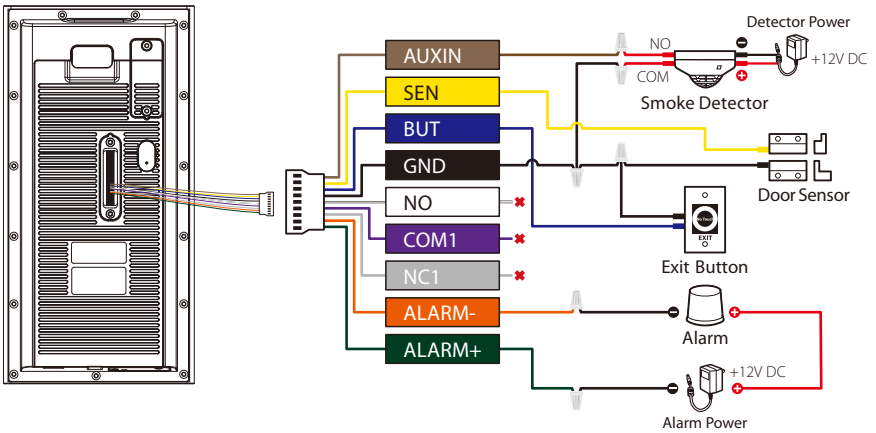


# Connecting Other Devices

## ❖ Bell Connection

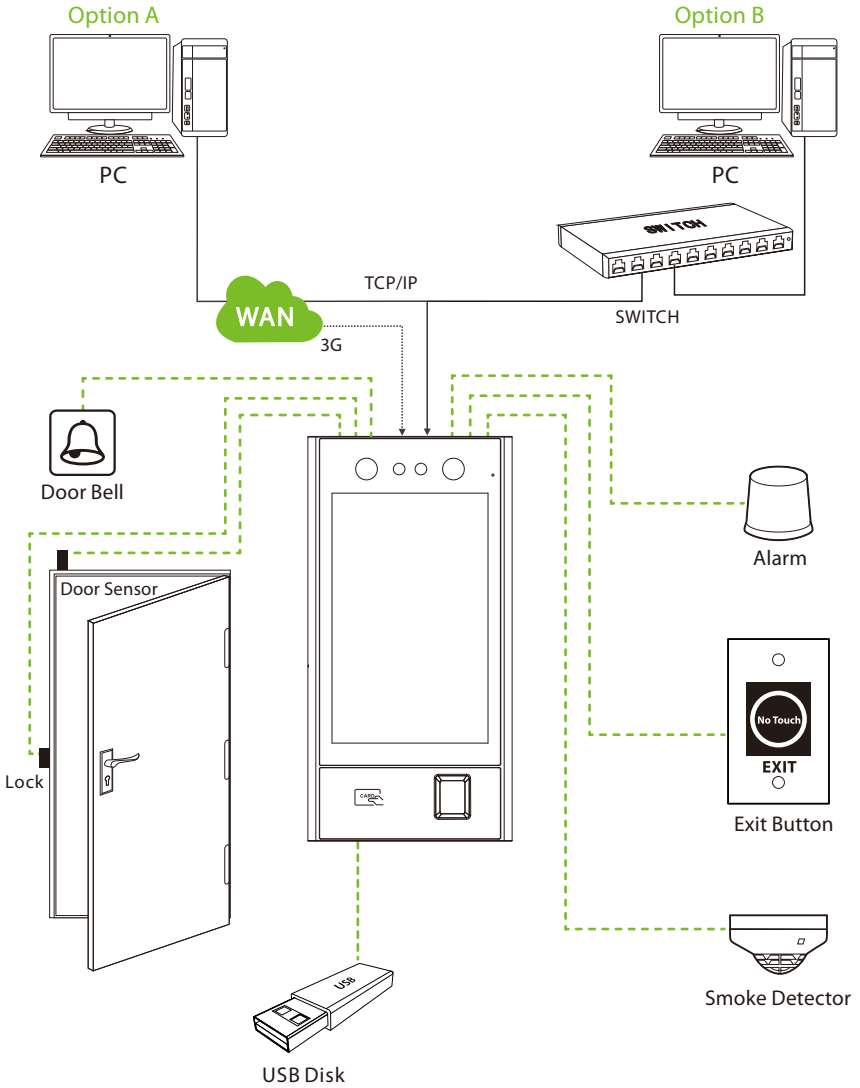


## ❖ Smoke Detector, Door Sensor, Exit Button & Alarm Connection



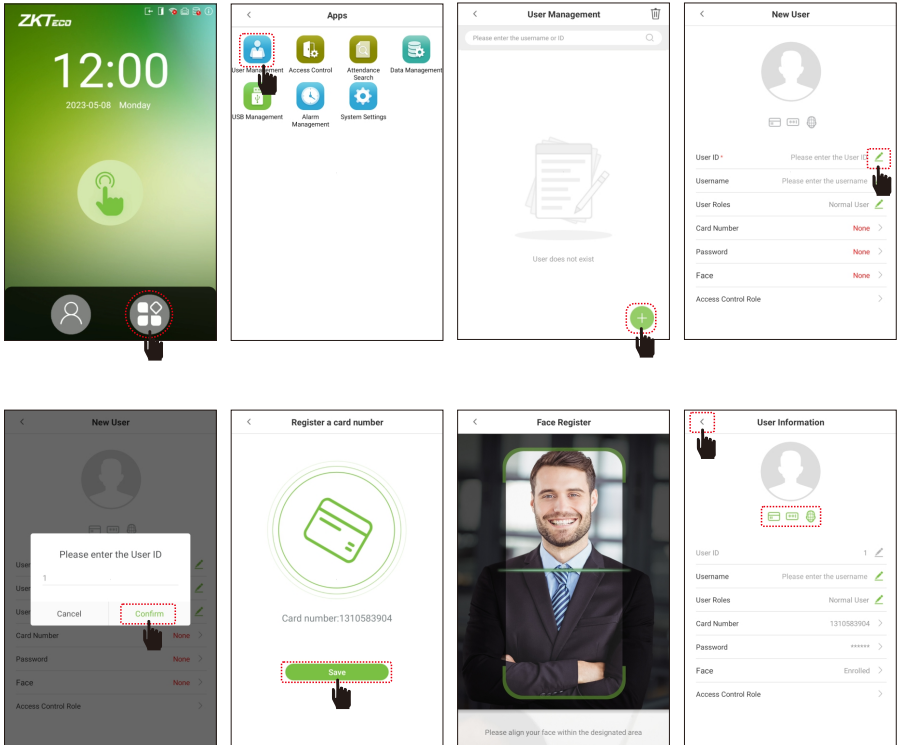
❌ Do not use

# Standalone Installation



# Menu Functions

## Enroll New User

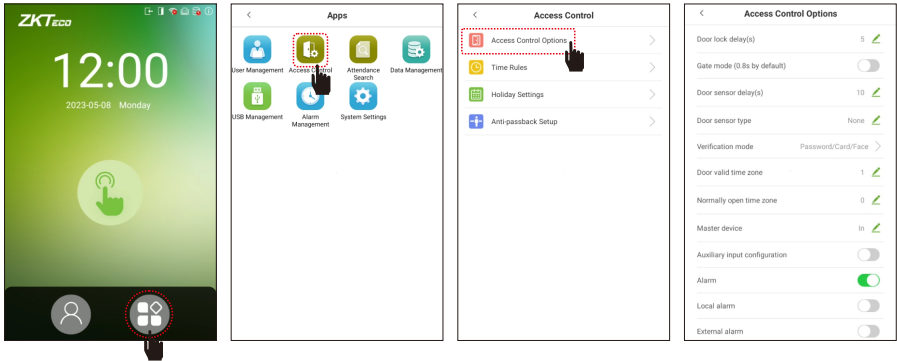


When there is no Super Administrator set in the device, click to enter the menu. Add a new user and set the User Role to Super Admin, then the system will request for Administrator's verification before entering the menu. It is recommended to register a Super Administrator initially for security purposes.

Click > **User Management** > > **New User** to register a new user. The procedure includes entering the User ID and Name, choosing User Role, registering Fingerprint, enroll Card Number, setting Password and setting Access Control Role.

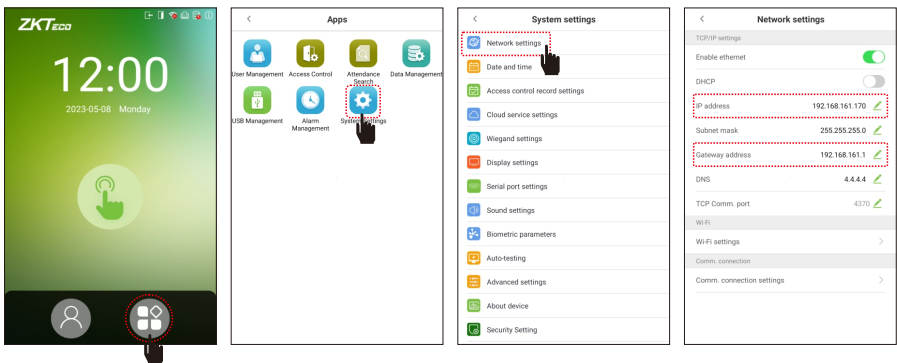
# Menu Functions

## Access Settings



Click > **Access Control** > **Access Control Options** to enter the setting interface.

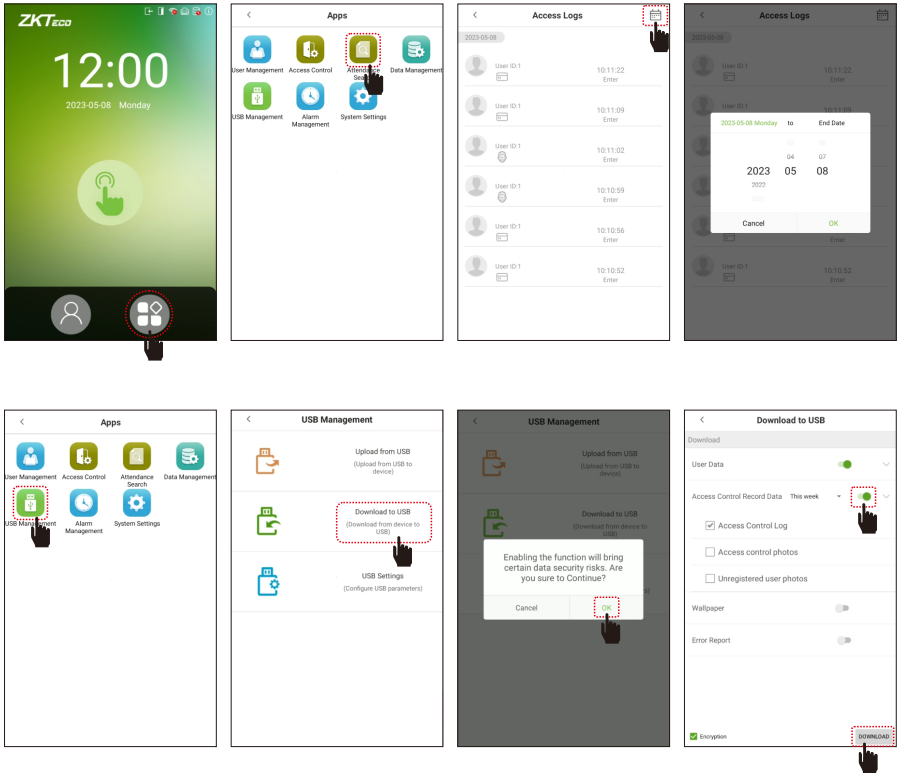
## Network Settings



Click > **System Settings** > **Network settings** to set the network parameters. If the TCP/IP communication of the device is successful, the icon will be displayed in the top right corner of the standby interface.

# Menu Functions

## Attendance Search



### View records in the device:

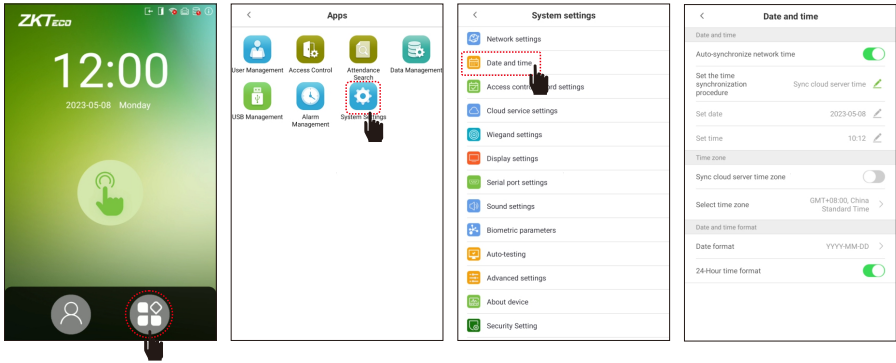
Click > **Attendance Search** > **Access Logs** (records of all users will be displayed) > select **Time Range** > press **OK**, the corresponding attendance logs will be displayed.

### View records on computer:

Click > **USB Management** > **Download to USB**. Insert the USB disk correctly and download the data to the USB drive, then copy this data from the USB drive to your PC. The downloaded data filename will be "Device Serial Number.dat", you can open and view it.

# Menu Functions & Troubleshooting

## ❖ Date and Time Settings



Click  > **System Settings** > **Date and Time**, to enter **Date and Time** setting interface.

## Troubleshooting

### 1. Fingerprint can't be detected or it takes too long.

- Check whether the finger or fingerprint sensor is stained with sweat, water, or dust.
- Retry after wiping the finger and fingerprint sensor with dry paper tissue or a mildly wet cloth.
- If the fingerprint is too dry, blow onto the fingertip and retry.

### 2. Failed to gain access after successful verification.

- Check with administrator whether the enrolled fingerprint has been deleted from the device or not.

### 3. Door doesn't open after successful verification.

- Check if the lock open duration parameter is set appropriately.

# Specifications

Model	G5
CPU	64bit Eight Core Customized Computer Vision CPU
Operation System	Android 9.0
Storage	2GB LPDDR3 16GB eMMC
SDK	Android LCDP, PUSH SDK
WLAN	2.4GHz/5.0GHz Dual Frequency; IEEE 802.11 a/b/g/n/ac
Display	8 inch TFT LCDColor Screen
Screen Type	Capacitive Touch Screen
Resolution	800*1280
Camera	2MP Binocular Camera
Card Type	125kHz ID card & 13.56MHz IC card Multi-tech Card Module (optional) ISO14443A/B & ISO15693 & HID Prox
QR Code (optional)	Dynamic QR codes on the ZKBioSecurity mobile application QR code, PDF417, Data Matrix, MicroPDF417, Aztec scanning in third-party development projects
User Capacity	100,000
Face Templates Capacity	100,000
Fingerprint Capacity (optional)	30,000
Card Capacity	100,000
Record Capacity	5,000,000
Firmware Functions	Push, Schedule Bell, Automatic Status Switch, Record Query, Access Levels, Groups, Holidays, DST, Duress Mode (Password & Fingerprint), Anti-Passback, Customization of Wallpaper & Screen Saver, Tamper Alarm
Language	English, Korean, Latin American, Indonesian, Vietnamese, Traditional Chinese, Portuguese, Spanish, Farsi, Japanese, Russian and Thai
Software	BioTime 8.0 , ZKBioSecurity , ZKBioCV Security

# Green Label

ZKTeco Industrial Park, No. 32, Industrial Road,  
Tangxia Town, Dongguan, China.

Phone : +86 769 - 82109991

Fax : +86 755 - 89602394

[www.zkteco.com](http://www.zkteco.com)



Copyright © 2023 ZKTECO CO., LTD. All Rights Reserved.