

# Mars Pro-S1200 Series

Mars Pro-S1200 Dual-Lane Speed Gate

Mars Pro-S1211 Dual-Lane Speed Gate  
(w/ controller and RFID reader)

Mars Pro-S1222 Dual-Lane Speed Gate  
(w/ controller and fingerprint & RFID readers)



## Highly Durable and Low Maintenance Costs

- Modularized structure design
- Exposed mounting holes for easy installation
- Mainly made of SPCC (option: SUS316 stainless steel)

## PGIC Controller

- Equipped with a PGIC controller
- Access control
- General features and parameters settings on the controller's menu

## LED Indicator

- Visual cues for correct walking direction
- Clear guidance with green and red illustration

## Switchable Reader Panel

- Four panels available:
  - RFID only
  - RFID & Fingerprint
  - RFID & QR Code
  - RFID & Fingerprint & QR Code
- Reducing middlemen's inventory pressure
- Reducing installation time & expenses

## Installation Place for Facial Recognition A&C Terminals

- Diameter: 34mm
- Integration with Facial Recognition, Temperature and Mask Detection Terminals

## Infrared Sensors

- 16 pairs of infrared sensors for stronger tailgating detection

## Servo Motor

- Faster opening speed
- Much more quiet
- Higher durability



# Specifications

Model	Mars Pro - S1200 Series
Power Requirements	AC100V to 120V / 200V to 240V, 50 to 60Hz
Working Power	70W; 20W (stand-by)
Drive Unit	Servo Motor
MCBF	10 millions
Technical Throughput Rate	Up to 30 people per minute
Barrier Movement	Swing
Noise	<60dB
Infrared Sensor	16 pairs
LED Indicator	Support
Working Temperature	-25°C to 65°C
Working Humidity	20% to 95% (non-condensing)
Working Environment	Indoor / Outdoor (if sheltered)
Lane Width	650mm(optional≤900mm)
Dimensions (L*W*H)	1360 * 120 * 1020 (mm) (±5mm)
Dimensions with Packaging (L*W*H)	1510 * 365 * 1216 (mm)
Net Weight	65kg (±5kg)
Gross Weight	90kg (±5kg)
Cabinet Material	SPCC (option: SUS316 stainless steel)
Lid Material	Stainless steel (option: SUS316 stainless steel)
Barrier Material	Arcylic(optional: Tempered Glass)
Packing Material	Wooden case
Protection Level	IP34
Warranty	5 years

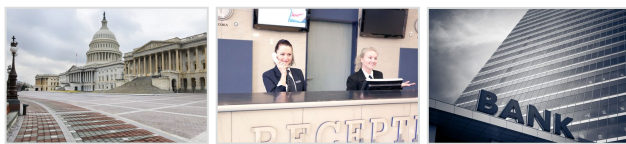
## Applications



Airports

Stations

Gyms

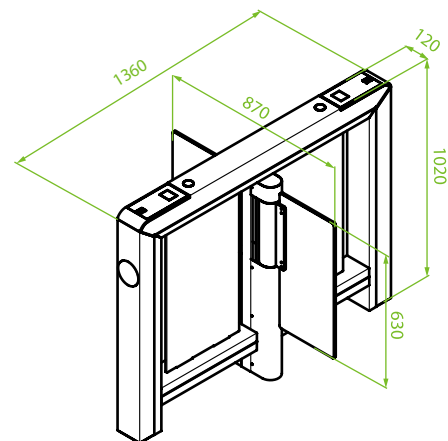


Government Buildings

Hotels

Banks

## Dimensions (mm)



V6.0 12.22.2021

ZKTECO CO.,LTD.

www.zkteco.com

E-mail: sales@zkteco.com

Copyright © 2021 ZKTECO CO., LTD. All rights reserved.