

TLEB301

New generation exit button
with a remote control



ZKTeco's TLEB301 is a touch exit button with a remote control unlocking function. The TLEB301 touch exit button adopts a capacitive module where users can unlock the door with a light touch. The TLEB301 has a 2.5D tempered glass panel with an anti-fingerprint coating, which can minimize the noticeable fingerprint marks. TLEB301 has an aluminium alloy frame to enhance protection and durability. It has achieved the IK04 vandal resistant protection rating to ensure protection against wear and tear.

Available in black and white, the slim body of TLEB301 is only 11.2mm wide, making it a stylish and practical choice for nearly all types of door frames. Besides, TLEB301 is compatible with Asian gang box for installing on the wall.

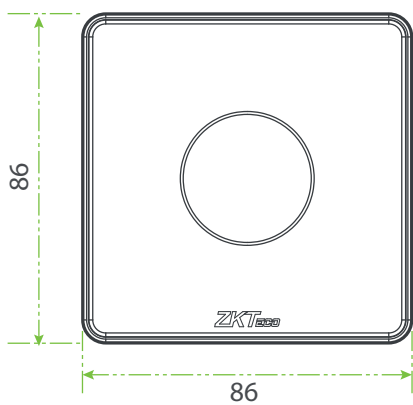
Features

- 2.5D tempered glass panel with an aluminium alloy frame.
- Adopts capacitive touch module. Just one-touch can unlock the door.
- Supports maximum six remote controls.(Optional)
- Compatible with Asian gang box.
- Anti-fingerprint coating, minimizing fingerprint marks and easy to wipe.
- White, red and green LED for clear indication.

Specifications

Model	TLEB301BP	TLEB301W
Processor	CPU: Arm® Cortex®-M0 @ max. up to 48MHz	
Casing Material	Aluminium Alloy 2.5D Tempered glass panel	
Anti-static	Contact Discharge ± 6KV Air discharge ± 8KV	
Power	DC 12V 1A Current Draw ≤200mA	
Status Indicator	White: Standby Green: Go / Allow to Proceed Red: Stop / Do Not Proceed	
Remote Control Communication	433 MHz	
Remote Control Distance	15m	
Number of Remote Control Support	Max. 6 remote control (Optional ; Separate purchases required).	
Operating Temperature	0°C to 45°C	
Operating Humidity	20% to 90% RH (Non-condensing)	
Supported Panel	InBio Series, C3 Series, EC16	
Ingress Protection Rating	IK04 (Vandal-Resistant)	
Operating Environment	Indoor	
Dimensions	86*86*11.2mm (L*W*D)	
Mounting Method	Asian gang box	
Color	Black & White	
Certifications	ISO9001, ISO14001, CE, FCC	

Dimension (mm)



TLEB301

