

AMT-FAM-10

Dual-Lens Near-Infrared
& Visible Light Face Module

AMT-FAR-10

Dual-Lens Near-Infrared
& Visible Light Face Reader



AMT-FAM-10



AMT-FAR-10

Overview

- AMT-FAM-10 is a dual-lens face module which captures the Near-Infrared (NIR) grayscale face images and true-color RGB face images for biometric recognition. Powered by Amatura FaceLite and LiveFace algorithms, the dual-lens module design ensures highest image quality for accurate identification while delivering highly secure liveness detection for anti-spoofing protection.
- The built-in wide dynamic range (WDR) imaging sensors and infrared LED together allow the module to capture superior quality face images from a wide range of distance and in varying indoor and most outdoor environments.
- The fusion of infrared and visible light imaging technologies allows FaceLite and LiveFace Algorithms to perform highly accurate liveness detection, distinguishing live individuals from imposters on paper print, video record or digital photo, and delivering highly secure anti-spoofing protection for biometric authentication applications.
- Wide field-of-view of the module lens makes face enrollment and authentication fast and simple for individuals having varying heights.
- Single 2-in-1 USB 2.0 cable provides both data communication and power to the module.
- Compact, light-weight size with USB 2.0 interface makes an easy integration with a wide range of hardware devices, such as time clocks, physical access control devices, intercom terminals, lockboxes, storage lockers, point of sales terminals, ATM and more.
- 100% hands-free user experience. The module provides a simple, natural, hygienic, non-invasive, and stress-free way for identity authentication. This is utmost important to prevent the spread of virus when the device is used in public.
- For price-conscious customers, the hardware module together with FaceLite or LiveFace SDK provides a cost-effective biometric authentication solution.
- AMT-FAR-10 reader enclosure embeds the AMT-FAM-10 module.

Software Development Kit (SDK)

- Both AMT-FAM-10 module and AMT-FAR-10 reader are supported by FaceLite SDK and LiveFace SDK.
- FaceLite SDK and LiveFace SDK support Windows, Android and Linux (on request) systems.
- FaceLite SDK and LiveFace SDK provide fast and easy integration to most applications - reducing time to market.
- For more information, please refer to FaceLite SDK and LiveFace SDK brochure.

Module Dimensions and Connection PIN Specifications

Figure 1: AMT-FAM-10 dimension and PIN specification

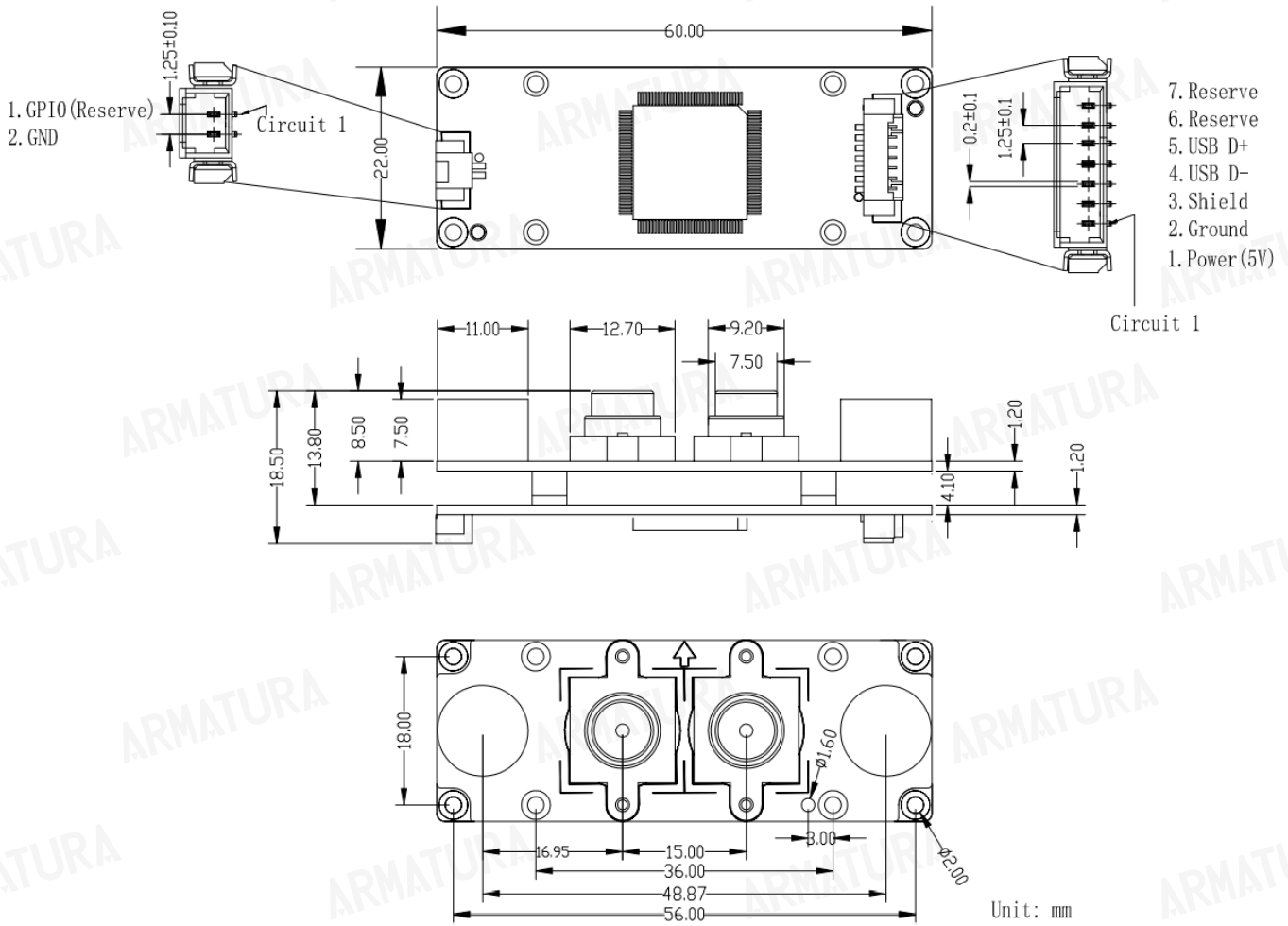
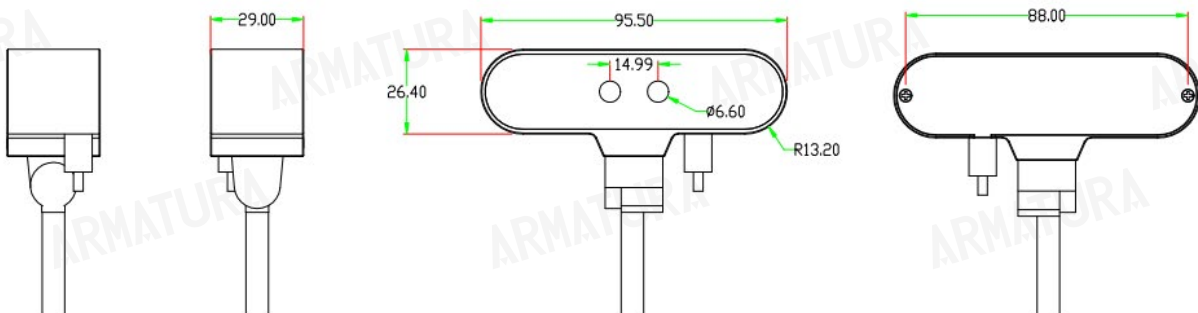


Figure 2: AMT-FAR-10 dimension



General Information	
Interface	USB 2.0
Power Supply	DC 5.0V/ 400mA
Power Consumption	<1.1W (standby); <2.0W (operation)
Operating Temperature	-10°C ~ 45°C / 14°F ~ 113°F
Storage Temperature	-20°C to 80°C / -4°F ~ 176°F
Operating Humidity	0 ~ 90% RH
Module Dimensions	Module: 60.0(L) * 22.0(W) * 18.3(H) mm (±1mm) Reader: 95.5(L) * 29.0(W) * 26.4(H) mm (±1mm)
SDK	Armatura FaceLite SDK 12.0
Certification	CE, FCC, RoHS, WHQL

Sensor		
Camera Type	Visible Light Camera	Infrared Light Camera
CMOS	1 / 2.7" HDR	
Dynamic Range	83dB	
Optical Wavelength	440 nm ~ 650 nm	850 nm
Image Type	24-bit RGB true color	256 Grayscale Levels
Image Resolution	720W * 1280H	720W * 1280H
Default Output Format	MJPEG	
Distortion Rate	≤1%	
Field of View	Horizontal: 40°; Vertical: 65°; Diagonal: 74°	
Maximal Frame Rate	12 fps	
Recognition Distance	40cm ~ 90cm / 16 inch ~ 35 inch	

ARMATURA

Address: 190 Bluegrass Valley Parkway Alpharetta, GA 30005

Phone: + 1 (470) 816-1970

Email: sales@armatura.us

Website: www.armatura.us

Copyright © 2022 Armatura LLC @ ARMATURA, the ARMATURA logo, are trademarks of Armatura

