

Quick Start Guide

8000 Series IP Camera

Version: 1.0

Date: December 2018



Precautions

These instructions are intended to ensure proper operations to prevent danger, damage or loss of property. Please read this document carefully before using the product and keep this operation guide for future reference.

As shown below, the preventive measures are divided into "Warning" and "Caution".

Warning: may lead to death or serious injury if proper precautions are not taken.

Caution: may lead to injury or property damage if proper precautions are not taken.

	
Warning To remind users to keep away from potential death or danger of serious injury.	Caution To remind users to keep away from potential injury or danger of property from loss

Warning

Please use the required power meets SELV (safety extra-low voltage circuit) to supply. In the accordance of IEC60950-1, the power supply should comply with the limited power supply of the DC 12V and AC 24V rated voltage, depending on the specific model.

If the equipment is operating abnormally, please contact the purchaser or the nearest service center. Do not disassemble or modify the device in any ways without permissions, otherwise, you will be responsible for your own risks, such as data corruption or loss and void the warranty.

- To avoid fire or electric shock, prevent the product from raining and moisture.
- Installation should be done under local regulations by qualified professionals.
- Please install an easy-to-use electrical faulty device into the wiring of the building.
- For installation on the ceiling: please make sure the connection can withstand a downward force of 50N after installation.



Caution

- Before running the camera, please make sure whether the supply power is right.
- Please do not drop or damage the product.
- Do not touch the optical component of the image sensor. You may wipe the dust with a clean and slightly moist cloth with a bit alcohol. When the device is not in use, please cover the lens to protect the image sensors.
- Avoid focusing on glare, such as lighting, sunlight, which may cause too bright or the screen to appear colorful vertical stripes, which is not a technical error of the camera, and affect lifespans of image sensors.
- The laser beam may burn the image sensors. When using a laser beam, please make sure that the surface of image sensors are not exposed to the laser beam.
- Please avoid installing the device in the following environment: moist, dusty, extremely hot or cold (normal work temperature range: $-14^{\circ}\text{F} \sim +140^{\circ}\text{F}$), locations covered by strong electromagnetic radiation, and so on.
- Please do not accumulate more heat and maintain adequate ventilation for the camera.
- Avoid water ingress.
- When delivering the product, please pack it according to the package standard of goods shipping out or pack it with material of the same quality from the factory.

Parts change regularly: some components of the products (e.g. electrolytic capacitors) should be replaced regularly according to their average lifespans. Their lifespans would be different for the using environment and using time, so please check them regularly. Please consult your purchasing distributors about more information.

1 Product Introduction

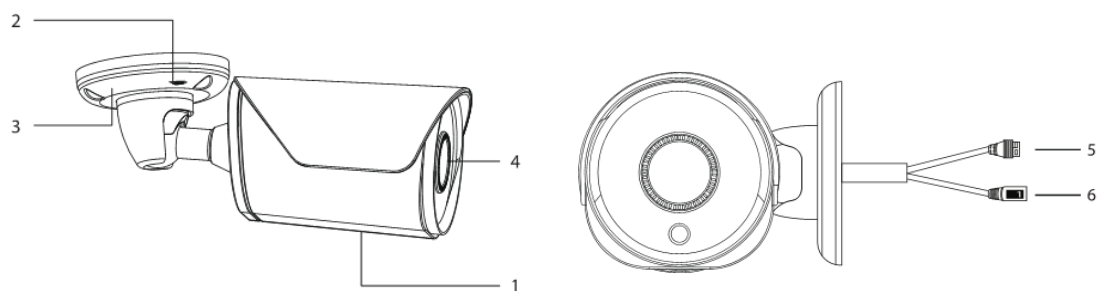
1.1 Product Features

IP Camera is an embedded digital surveillance product that integrates the traditional analog camera and network video server. It uses an embedded operating system and a high-performance processing platform, highly efficient system scheduling and its code is curing in Flash. It's small-sized with high stability and reliability. The key features are as follows:

- Use advanced video compression, support advanced H.265 encoding and flexible processing, support variable bit rate, limit the compression encoding of video image when setting the quality of video image.
- Support composite stream, mobile surveillance and through private network.
- Multiple alarm functions: motion detection, video loss, video shelter and more.
- Support searching for real-time videos with the client software or browsers. Users may set the relevant parameters to check the camera and realize the alarm linkage and saving through network.
- Support POE function.
- Support TCP/IP, UDP, HTTP, DHCP, RTP/RTSP, DNS, DDNS, FTP, NTP, PPPOE, UPNP, SMTP and more.
- Anti-lightning shock; compliant with IP67.
- Support remote network upgrade and maintenance.

1.2 Parts Descriptions

Each IP camera of this series consists of the body and components as illustrated below:



N0	Names	Descriptions
1	Body	The body of the IP camera
2	Hex screw	Adjust the 3 Dimension
3	Base	The bottom part of the camera
4	Lens	Lens
5	Network cable	RJ45 connector, PoE
6	Power cable	DC 12V

2 Installation

Please make sure the equipment and components are intact before installation.

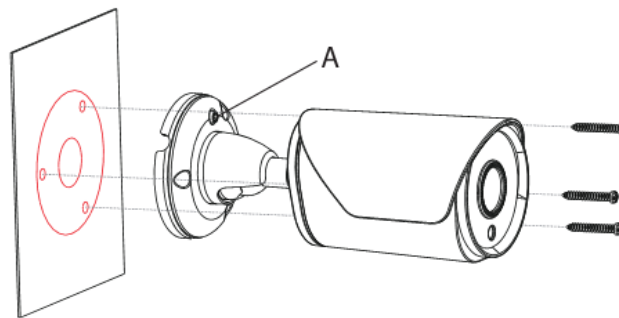
There are typically two installation methods for IP cameras of this series: mount on the wall or mount to a ceiling. Below is the installation steps to mount a camera on a wall and to a ceiling.

2.1 Camera Installation

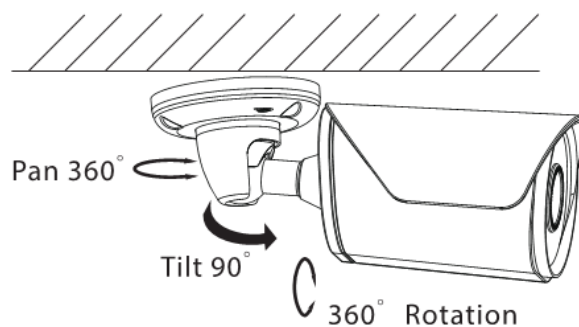


Caution: the wall on which the device is going to be mounted should be with a certain thickness and is at least three times heavier than the camera.

- 1. Drill with the template:** attach the drill template provided and paste it on the wall. Drill holes on the wall accordingly.
- 2. Camera installation:** the series camera is in the integrated brackets structure. Please fix the bottom part of the camera on the wall accordingly with three PA4 screws.



- 3. Three-axis brackets adjustment:** loosen the camera body's screws to adjust the three-axis. Adjust the connection between brackets and basement by axis to implement $0^{\circ}\sim 360^{\circ}$ in the horizontal direction. Adjust the spherical joint of brackets to achieve $0^{\circ}\sim 90^{\circ}$ in the vertical direction and $0^{\circ}\sim 360^{\circ}$ in the rotational direction. Tighten the screws after adjusting the desired camera position. Installation is then completed.



3 Quick Operations

3.1 Network Connection

Make sure the camera is connected to the network properly. Please also check the state of the local network of the PC. If the state shows the  icon, the network connection is failed.

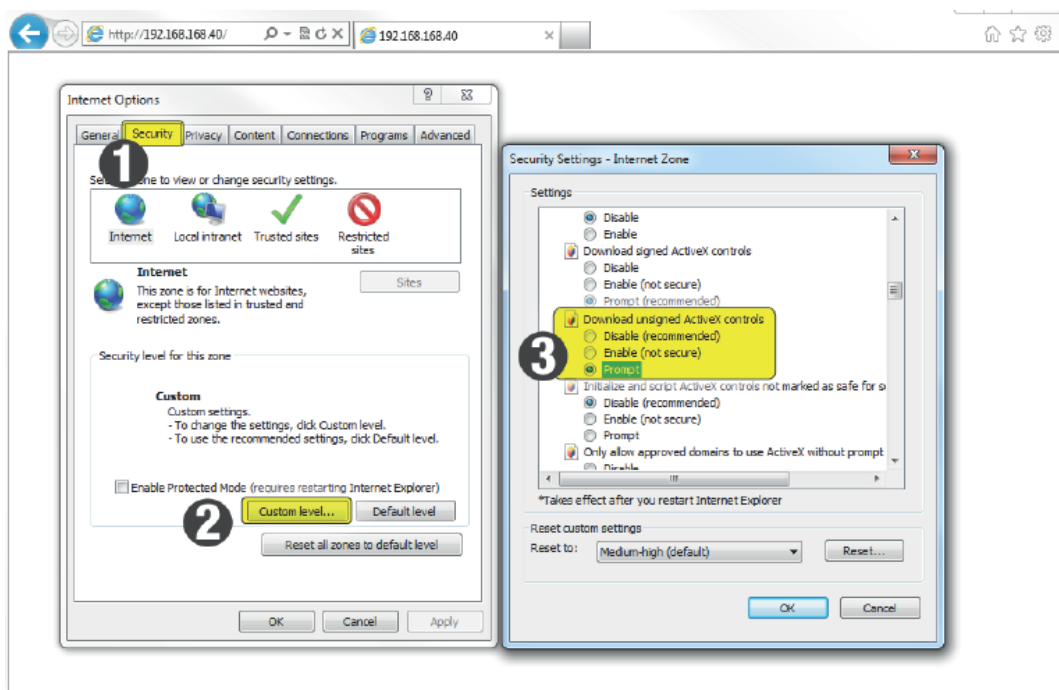
The initial default IP address of the camera is 192.168.1.86. Please set the IP address, subnet mask and gateway for your computer.

Please make sure the IP address is set accurately. Now, you may check the network connection with the tool "Ping" in the system after the settings.

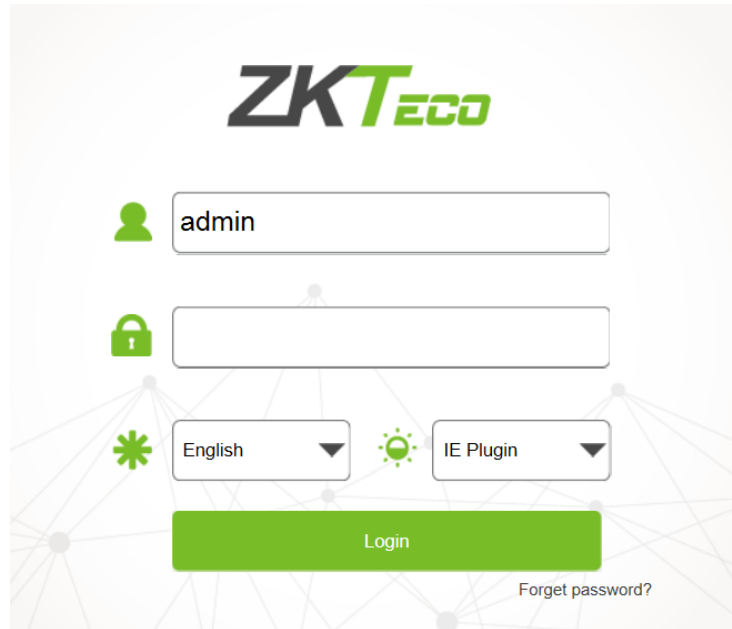
3.2 Quick Access

The system supports multiple browsers with proper network connection, for instance, Internet Explorer, Firefox, Chrome and so on. To preview the camera with IE Browser, please see the operating steps as follows:

1. Open Internet Explorer and choose Tools→Internet Options→Security→Custom Level, then check "Enabled" or "Pop Up" under "ActiveX Control and Plug-in" and set the security level lower.



2. Please enter the camera's IP address in the address bar and click on "Enter" (The default IP address is "192.168.1.86"), then the system will show you the login interface. Then, input your camera's "User Name" (Default: admin), "Password" (Default: 123456) and click on "Login".



Caution: Detailed functions and configuration of IE Active and the client software, please refer to the user manual of the IP camera from our official website.