

# GT-SD552

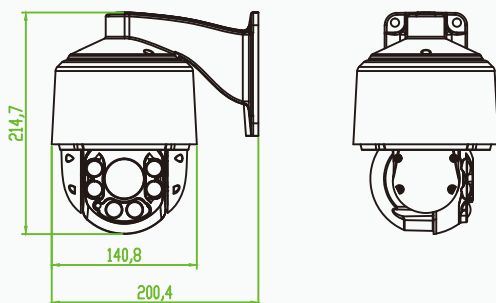
## High Speed Dome IP Camera



### Features

- 1/3" Aptina CMOS Sensor
- Real-time H.264 Image Compression
- IP65-rated protection against dust and rain
- Easy connection and installation

### Product dimension figure



### Technical Specifications

Model	GT-SD552
<b>General Performance</b>	
Image Sensor	1/3" APTINA CMOS
Image Resolution	1.3 Megapixel
Minimum Illumination	Color: 0.1Lux@F1.6, B&W: 0.01Lux@F1.6
Day & Night	IR-Cut
IR distance	50m
Focus Mode/Gain Compensation/ White Balance	AUTO/Manual
S/N	>50dB
Backlight Compensation	On/Off
Aperture	AUTO/Manual
Lens	4.63~46.3mm F2.0 (10X optical zoom)
Pan	360° endless, 0.01-200°/S
Tilt	-5 ~ 92°, 0.01-120°/S
Zoom	10X optical zoom
Preset Position	255 preset positions
<b>Video</b>	
Video Compression	H.264
Dual-stream	Support
Frame Rate	50Hz:25fps(1280*720) ,25fps(1280*960) 60Hz:30fps(1280*720) ,30fps(1280*960)
Image Settings	Brightness, contrast, saturation, color
<b>Network</b>	
Security	Multi-level users access with password protection; Authorised users and bound MAC address.
WDR	Support
Network Interface	10Base-T/100Base-TX Ethernet interface
Support Protocol	TCP/IP,HTTP,DHCP,DNS,RTP/RTCP,RTSP,PPPoE, SMT,NT, FTP, SNMP
Intelligent Alarm	Motion detection、 video and audio recording to edge storage
<b>On Board Storage</b>	
Storage	Snapshots and video clips
<b>Alarm</b>	
Alarm Event	Motion detection, video blocked/covered alarm, storage space over/wrong
<b>General</b>	
Casing	Camera: Metal (Aluminum Alloy) Transparent cover: High quality PC Color: white
Power Supply	DC12V±10% 3A
Power Consumption	30W MAX
Working Conditions	-30 C ~ +65 C , < 90%RH
Protection Rating	IP65
Net Weight	1.5kg
Dimension	Φ141(mm)×215(mm)