

# User Manual

## Flap Barrier-FBL6000 Pro Series

Date: August 2020

Doc Version: 1.2

English

Thank you for choosing our product. Please read the instructions carefully before operation. Follow these instructions to ensure that the product is functioning properly. The images shown in this manual are for illustrative purposes only.



For further details, please visit our Company's website  
[www.zkteco.com](http://www.zkteco.com).

## Copyright © 2020 ZKTECO CO., LTD. All rights reserved.

Without the prior written consent of ZKTeco, no portion of this manual can be copied or forwarded in any way or form. All parts of this manual belong to ZKTeco and its subsidiaries (hereinafter the "Company" or "ZKTeco").

## Trademark

**ZKTeco** is a registered trademark of ZKTeco. Other trademarks involved in this manual are owned by their respective owners.

## Disclaimer

This manual contains information on the operation and maintenance of the ZKTeco equipment. The copyright in all the documents, drawings, etc. in relation to the ZKTeco supplied equipment vests in and is the property of ZKTeco. The contents hereof should not be used or shared by the receiver with any third party without express written permission of ZKTeco.

The contents of this manual must be read as a whole before starting the operation and maintenance of the supplied equipment. If any of the content(s) of the manual seems unclear or incomplete, please contact ZKTeco before starting the operation and maintenance of the said equipment.

It is an essential pre-requisite for the satisfactory operation and maintenance that the operating and maintenance personnel are fully familiar with the design and that the said personnel have received thorough training in operating and maintaining the machine/unit/equipment. It is further essential for the safe operation of the machine/unit/equipment that personnel has read, understood and followed the safety instructions contained in the manual.

In case of any conflict between terms and conditions of this manual and the contract specifications, drawings, instruction sheets or any other contract-related documents, the contract conditions/documents shall prevail. The contract specific conditions/documents shall apply in priority.

ZKTeco offers no warranty, guarantee or representation regarding the completeness of any information contained in this manual or any of the amendments made thereto. ZKTeco does not extend the warranty of any kind, including, without limitation, any warranty of design, merchantability or fitness for a particular purpose.

ZKTeco does not assume responsibility for any errors or omissions in the information or documents which are referenced by or linked to this manual. The entire risk as to the results and performance obtained from using the information is assumed by the user.

ZKTeco in no event shall be liable to the user or any third party for any incidental, consequential, indirect, special, or exemplary damages, including, without limitation, loss of business, loss of profits, business interruption, loss of business information or any pecuniary loss, arising out of, in connection with, or relating

to the use of the information contained in or referenced by this manual, even if ZKTeco has been advised of the possibility of such damages.

This manual and the information contained therein may include technical, other inaccuracies or typographical errors. ZKTeco periodically changes the information herein which will be incorporated into new additions/amendments to the manual. ZKTeco reserves the right to add, delete, amend or modify the information contained in the manual from time to time in the form of circulars, letters, notes, etc. for better operation and safety of the machine/unit/equipment. The said additions or amendments are meant for improvement /better operations of the machine/unit/equipment and such amendments shall not give any right to claim any compensation or damages under any circumstances.

ZKTeco shall in no way be responsible (i) in case the machine/unit/equipment malfunctions due to any non-compliance of the instructions contained in this manual (ii) in case of operation of the machine/unit/equipment beyond the rate limits (iii) in case of operation of the machine and equipment in conditions different from the prescribed conditions of the manual.

The product will be updated from time to time without prior notice. The latest operation procedures and relevant documents are available on <http://www.zkteco.com>

If there is any issue related to the product, please contact us.

## ZKTeco Headquarters

**Address**            ZKTeco Industrial Park, No. 26, 188 Industrial Road,  
Tangxia Town, Dongguan, China.

**Phone**             +86 769 - 82109991

**Fax**                 +86 755 - 89602394

For business related queries, please write to us at: [sales@zkteco.com](mailto:sales@zkteco.com).

To know more about our global branches, visit [www.zkteco.com](http://www.zkteco.com).

## About the Company

ZKTeco is one of the world's largest manufacturer of RFID and Biometric (Fingerprint, Facial, Finger-vein) readers. Product offerings include Access Control readers and panels, Near & Far-range Facial Recognition Cameras, Elevator/floor access controllers, Turnstiles, License Plate Recognition (LPR) gate controllers and Consumer products including battery-operated fingerprint and face-reader Door Locks. Our security solutions are multi-lingual and localized in over 18 different languages. At the ZKTeco state-of-the-art 700,000 square foot ISO9001-certified manufacturing facility, we control manufacturing, product design, component assembly, and logistics/shipping, all under one roof.

The founders of ZKTeco have been determined for independent research and development of biometric verification procedures and the productization of biometric verification SDK, which was initially widely applied in PC security and identity authentication fields. With the continuous enhancement of the development and plenty of market applications, the team has gradually constructed an identity authentication ecosystem and smart security ecosystem, which are based on biometric verification techniques. With years of experience in the industrialization of biometric verifications, ZKTeco was officially established in 2007 and now has been one of the globally leading enterprises in the biometric verification industry owning various patents and being selected as the National High-tech Enterprise for 6 consecutive years. Its products are protected by intellectual property rights.

## About the Manual

This manual introduces the operations of **FBL6000 Pro Series** product.

All figures displayed are for illustration purposes only. Figures in this manual may not be exactly consistent with the actual products.






## Document Conventions

Conventions used in this manual are listed below:

### GUI Conventions

For Software	
Convention	Description
<b>Bold font</b>	Used to identify software interface names e.g. <b>OK, Confirm, Cancel</b>
>	Multi-level menus are separated by these brackets. For example, File > Create > Folder.
For Device	
Convention	Description
<>	Button or key names for devices. For example, press <OK>
[]	Window names, menu items, data table, and field names are inside square brackets. For example, pop up the [New User] window
/	Multi-level menus are separated by forwarding slashes. For example, [File/Create/Folder].

### Symbols

Convention	Description
	This implies about the notice or pays attention to, in the manual
	The general information which helps in performing the operations faster
	The information which is significant
	Care taken to avoid danger or mistakes
	The statement or event that warns of something or that serves as a cautionary example.

## Table of Contents

<b>1</b>	<b>PRODUCT INTRODUCTION.....</b>	<b>6</b>
1.1	PRODUCT APPEARANCE AND DIMENSIONS.....	6
1.2	TECHNICAL PARAMETERS.....	7
1.3	MODEL NUMBER AND ACCESS CONTROL.....	7
<b>2</b>	<b>POWER-ON TEST PRIOR TO INSTALLATION.....</b>	<b>8</b>
<b>3</b>	<b>ELECTRIC AND CIVIL INSTALLATION.....</b>	<b>9</b>
<b>4</b>	<b>MENU INTRODUCTION.....</b>	<b>12</b>
4.1	FUNCTION INTRODUCTION.....	12
4.2	MENU INTRODUCTION.....	12
<b>5</b>	<b>WIRING DIAGRAM.....</b>	<b>15</b>
<b>6</b>	<b>PRODUCT MAINTENANCE.....</b>	<b>16</b>
6.1	CHASSIS.....	16
6.2	MOVEMENT.....	16
6.3	POWER.....	16

# 1 Product Introduction

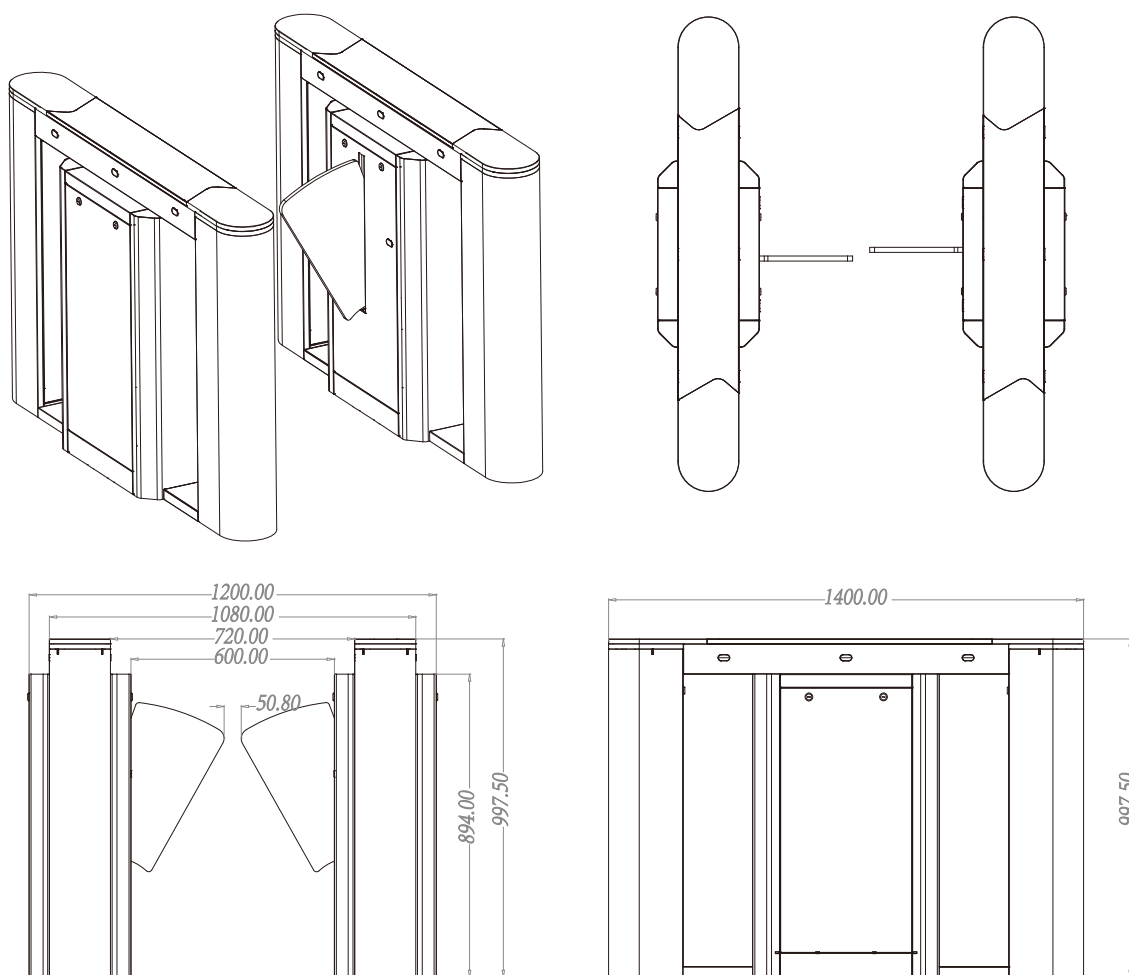
The wing gate is composed of the chassis, core component, wing arms, a PCB (printed circuit board), infrared sensors, a reader, and the access control system.

The system uses standard electric interfaces. It meets fire fighting passage requirements and is equipped with dedicated fire control linkage interfaces. The entire system complies with the same quality standard to ensure reliability, stability, and smoothness of the system during running.

The wing gate is applicable to work attendance, access control, consumption management, and special passage control of enterprises and institutional organizations. It is conducive to the management of ticket check passages in stations, wharves, convention and exhibition centres, and swimming pools.

## 1.1 Product Appearance and Dimensions

Below is the design and dimensions of FBL6000 Pro:



## 1.2 Technical Parameters

<b>Dimension (mm)</b>	FBL6000 Pro: L = 1400, W = 300, H = 1000		
<b>Lane width</b>	600mm	<b>Input voltage</b>	AC110 ~ 240V; 50 - 60Hz
<b>Input control signal</b>	Switching signal	<b>Output voltage</b>	DC24V
<b>Time of opening/closing</b>	1 second (adjustable)	<b>Relative humidity</b>	5% - 80%
<b>Temperature</b>	-28°C to 60°C	<b>Passage rate</b>	Maximum 30/minute
<b>Infrared sensor</b>	5	<b>Working environment</b>	Indoor

## 1.3 Model Number and Access Control

Model \ Access	None	C3-200 and 2*Wiegand reader	inBio 260 and 2*FR1500/ID reader	2*Facedepot 7B device
FBL6000 Pro	√			
FBL6011 Pro		√		
FBL6022 Pro			√	
FBL6033 Pro				√
FBL6200 Pro	√			
FBL6211 Pro		√		
FBL6222 Pro			√	
FBL6233 Pro				√



## 2 Power-on Test Prior to Installation

### Test Procedure:

1. Connect a temporary test cable to the device and supply the input power of AC100-240V adaptive to the device (Note that a ground cable must be connected.)
2. Wait 30 seconds till the wing gate completes the self-test procedure.
3. Start the air switch inside the wing gate to check whether the wing gate functions properly and check whether the LED indicators function properly. If they all function properly, start the civil installation. If an exception occurs, contact your sales agent.

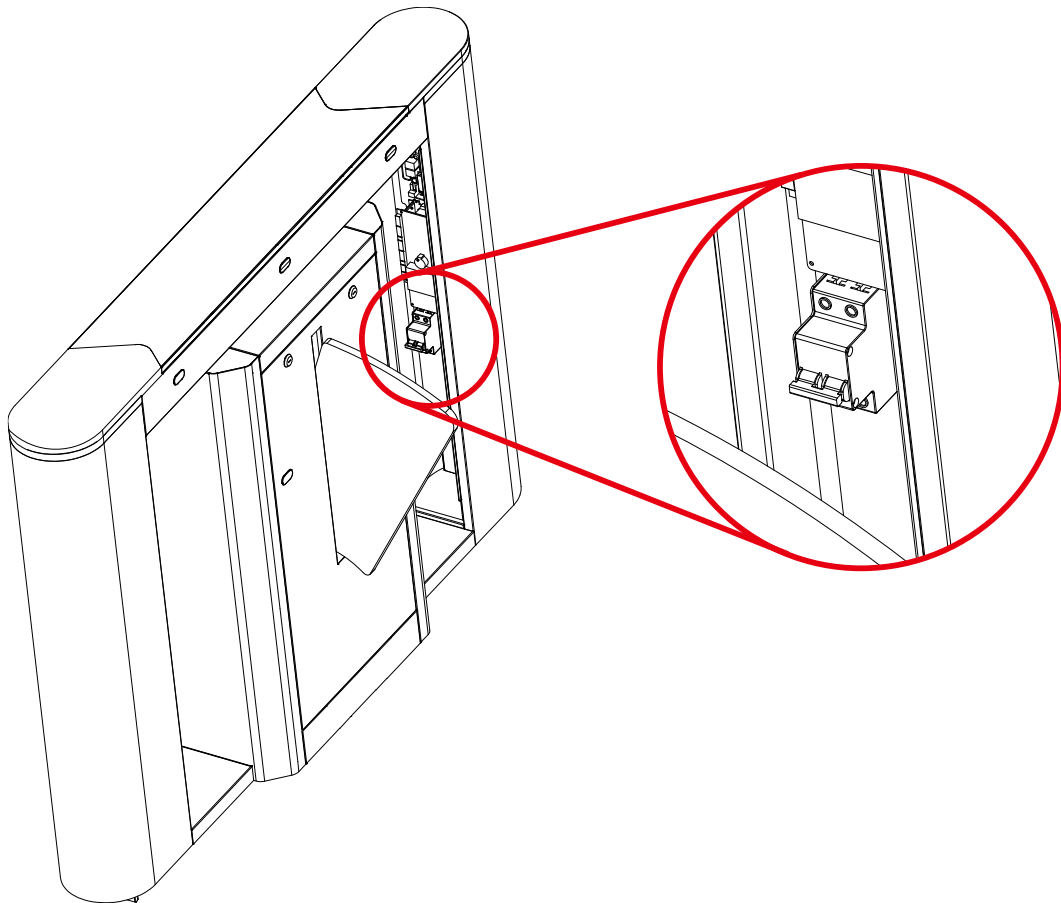


Figure 2-1 Air Switch

### 3 Electric and Civil Installation

#### 1. Device installation conditions

The location where the device is installed must be a concrete flat surface so that the expansion screws can be fastened firmly. If the planned foundation does not meet this criterion, consult professional building or decoration personnel and create stable conditions for firmly fastening of the wing gate.

#### 2. Determination of the location of device installation

Decide the installation location based on the space needed as illustrated in Figure 3-1A and Figure 3-1B.

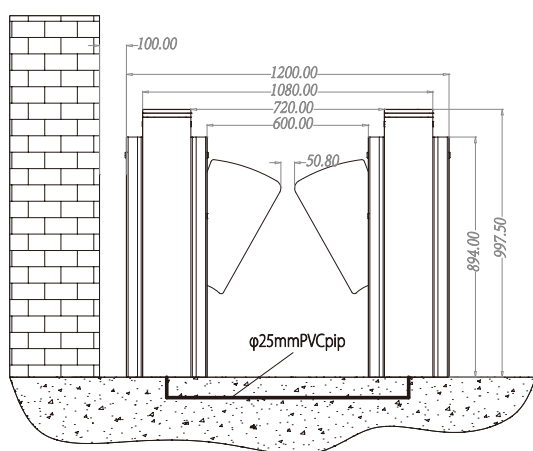


Figure 3-1A Single-Passage Wing Gate

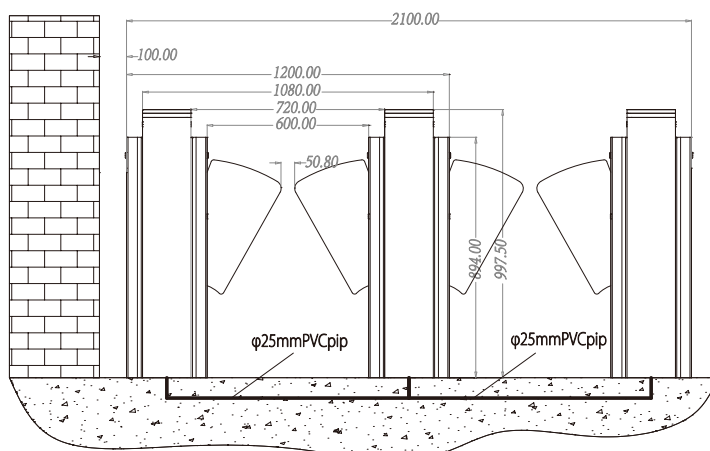


Figure 3-1B Dual-Passage Wing Gate

#### 3. Cable connection

For the location of the hole where the cables come out, please refer to Figure 3-2 below.

#### 4. Device installation

- Turn on the master machine and slave machine, adjust the wing arms to ensure that the wing arms are in the same line and the distance between wings is 50 mm. Turn the wings to the OFF state.
- Test whether the infrared rays transmitted by infrared sensors on both sides align with each other.
- Make marks: Mark the screw hole of the base and chassis base edges on the ground.
- Drill holes: Get ready a hammer drill and a 14 mm drill bit, vertically drill a hole with the depth of 80 mm in the screw hole centre marks.

Alternatively, drill holes according to installation hole positions, see Figure 3-2 for installation hole positions. The unit of the figures in the drawings is mm.

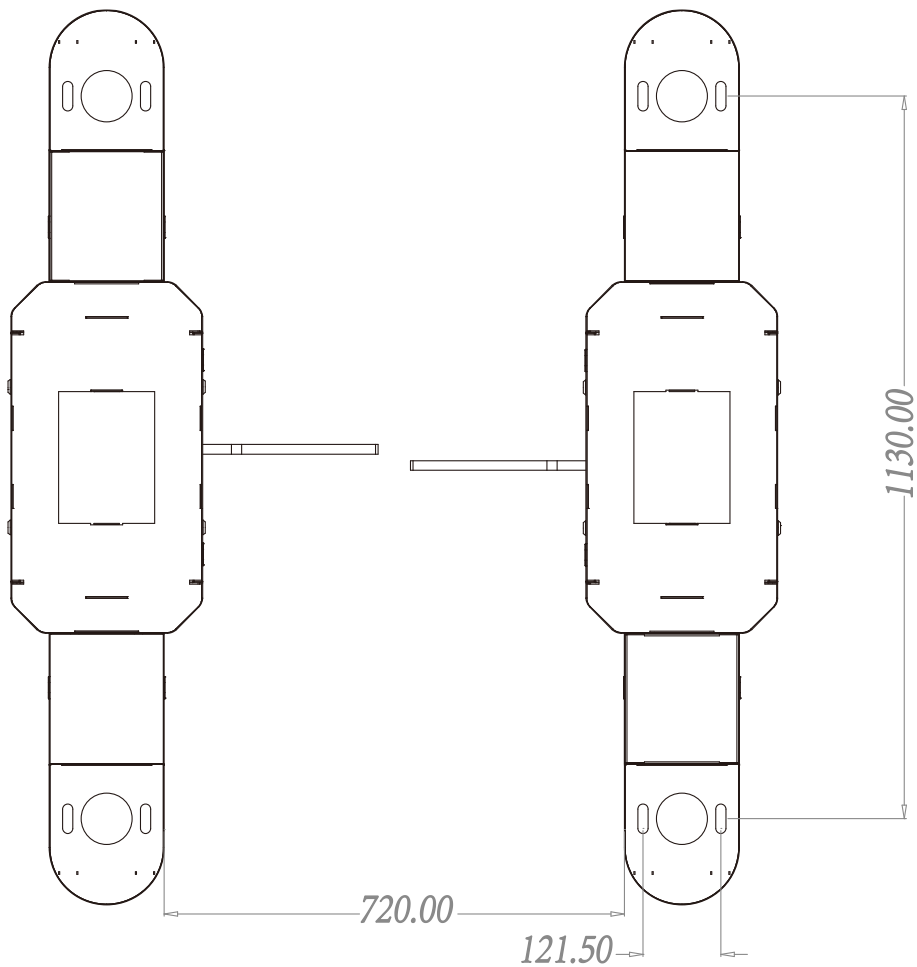


Figure 3-2

- e) Apply screw glue to the outer surface and threads of the expansion screws, insert expansion screws, and put the master machine and slave machine in the marked positions. Use a level to check whether the installation ground foundation is level. If not, use a pad for adjustment.

**Note:** Eight expansion screws must be completely inserted, as shown in Figure 3-3.

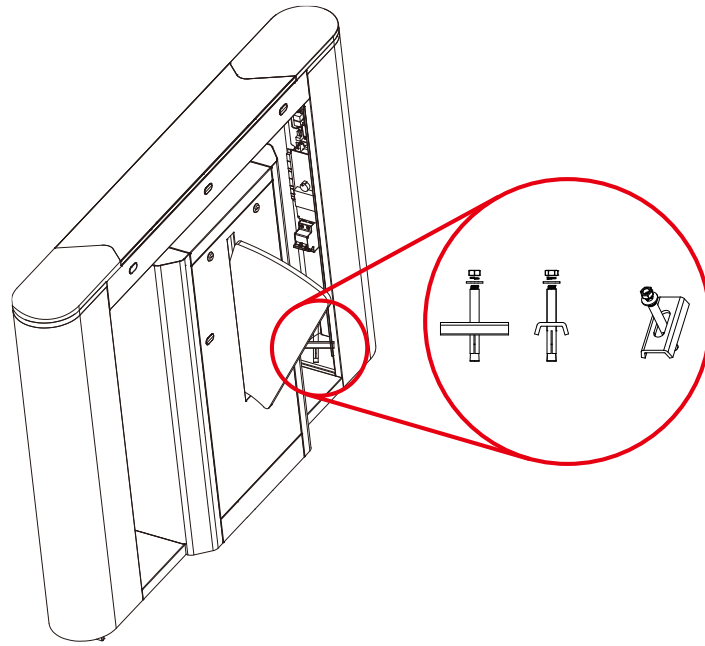


Figure 3-3

### 5. Card Swiping Warning Lines

It is recommended that a warning line is set to prompt users to swipe cards outside the warning lines, as shown in Figure 3-4.

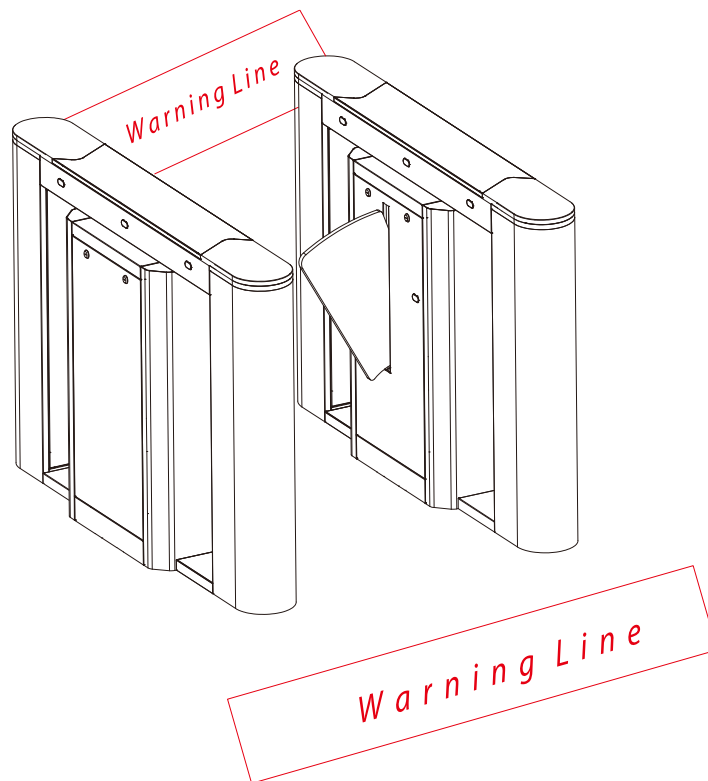


Figure 3-4



**1. Passing mode**

Two-way swipe (default)

Left free, Right swipe

Left swipe, Right free

Two-way free

Left prohibit, Right swipe

Left swipe, Right prohibit

Left prohibit, Right free

Left free, Right prohibit

Two-way prohibit

**2. Opening speed**

Low speed

Medium speed (default)

High speed

**3. Closing speed**

Low speed

Medium speed (default)

High speed

**4. Volume setting**

Volume: off

The value ranges from 1 to 16 (default 5).

1 is the minimum value; 16 is the maximum value.

**5. Opening duration**

After the gate is opened, it will be automatically closed if no one passes through within a certain duration. The default value is 10 seconds. The value ranges from 5 to 60.

**6. Reset the counter**

Exit counter

Entry counter

All (default)

**7. Gate closing delay time**

Time: 0~10s (default 0s)

**8. Trailing alarm detection**

Mode: Close the door and audio alarm

Audio alarm only (default)

Disable the alarm function

**9. Swiping mode**

Method: Allow card swiping in the channel (default)

Do not allow card swiping in the channel

**10. False direction entry**

Mode: Close the door and audio alarm

Audio alarm only (default)

Disable the alarm function

**11. Set fire signal**

Enable (default)

Disable

**12. Exchange voice of door opening**

Yes

No (default)

**13. Speed compensation of master machine**

Compensation value: 000

1~20 (default: 000)

**14. Speed compensation of slave machine**

Compensation value: 000

1~20 (default: 000)

**15. Gate closing mode**

Out of the anti-pinch area, close the gate. (default)

Out of the channel, close the gate.

**16. Memory opening**

Whether to open: No (default)

Yes

**17. System working mode**

Mode: Working mode (default)

Test mode

Restore to factory

**18. Version number**

Version: V7.0.3

## 5 Wiring Diagram

Below is the wiring diagram:

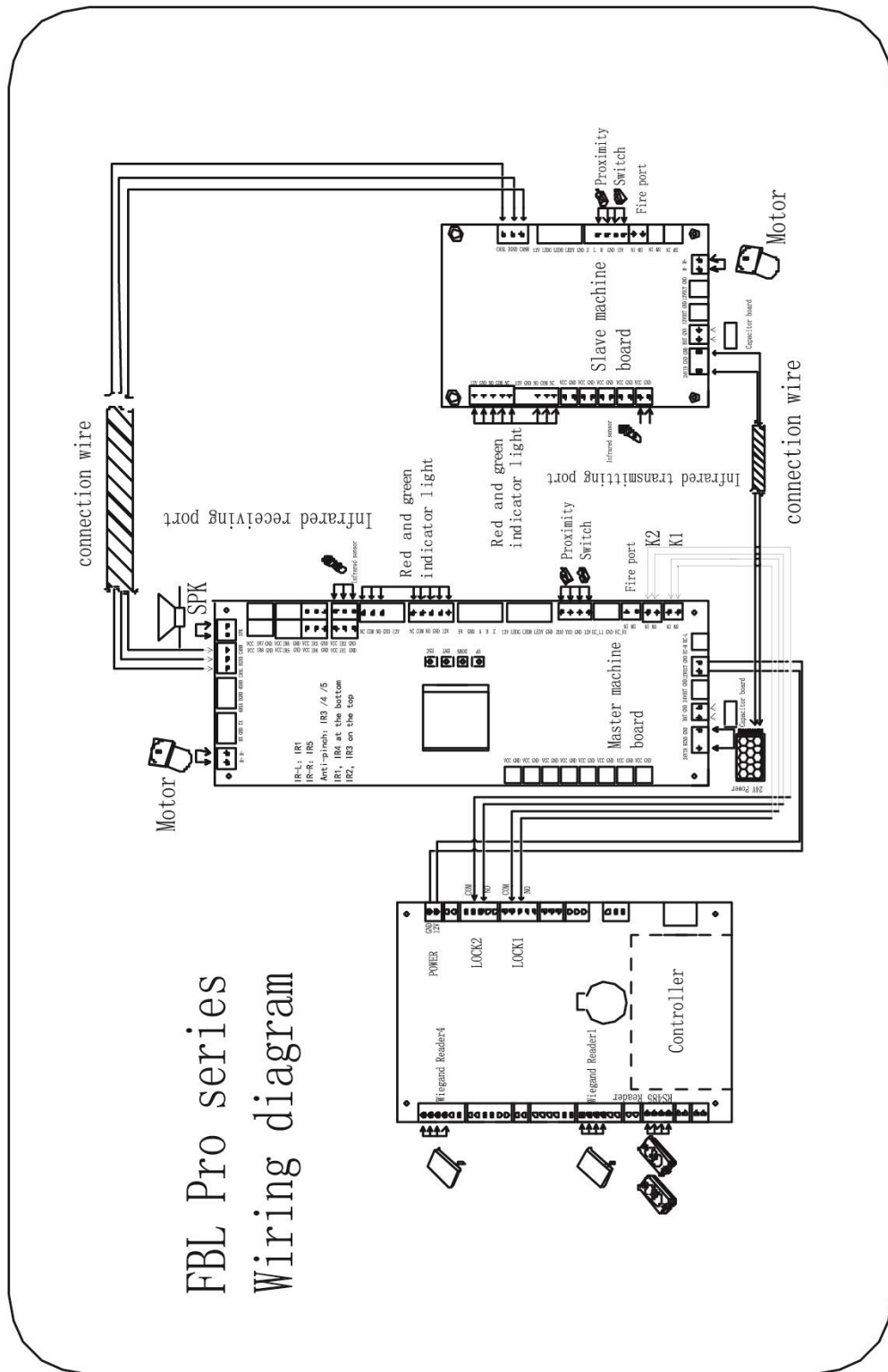


Figure 5-1



## 6 Product Maintenance

### 6.1 Chassis

The chassis is made of SAE 304 stainless steel. When the device has been used for a long period, there may be rust or stain on the surface of the chassis. Remember to regularly sand the surface along the grain softly and carefully, then coat the surface with anti-rust oil. Avoid covering the infrared sensors.

### 6.2 Movement

Cut off the power supply before maintenance. Then, open the door, wipe off the dust on the surface, and lubricate the transmission mechanism. Check and tighten other connection parts.

### 6.3 Power

Cut off the power supply before maintenance. Check the plug connection; if anything is loose, fix it. Do not randomly change any connection positioning. Check the external power insulation regularly. Do periodic check for any kind of leakage. Check if the technical parameters of each interface are normal. Check the service life of the electronic components.

**Caution:** The above-mentioned maintenance method of the swing gates, especially the movement and the electric control maintenance, must be carried out by professional personnel. Always remember to cut off the power supply before maintenance and repair.

ZKTeco Industrial Park, No. 26, 188 Industrial Road,  
Tangxia Town, Dongguan, China.

Phone : +86 769 - 82109991

Fax : +86 755 - 89602394

[www.zkteco.com](http://www.zkteco.com)

