

# Installation Guide

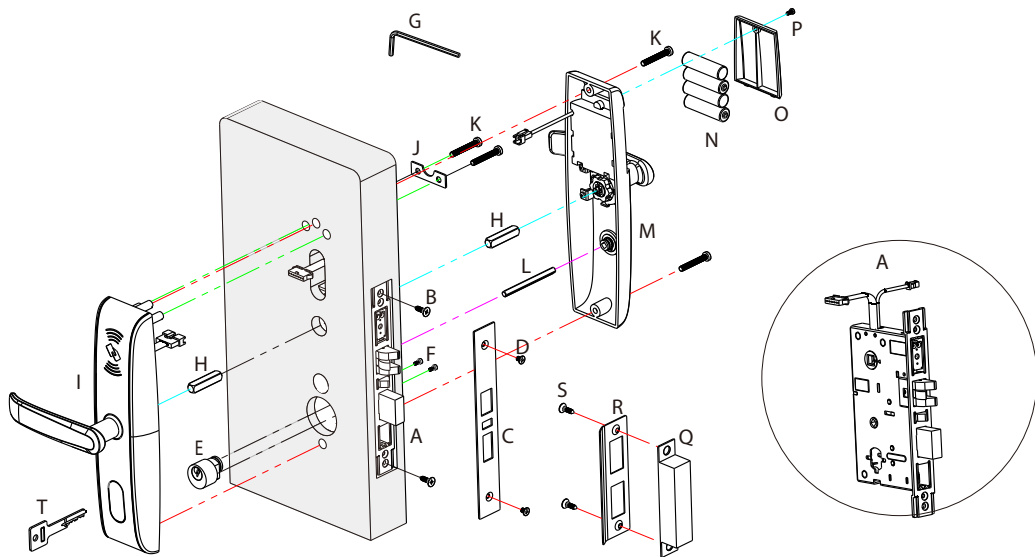
## ZL400

Version: 1.0

Date: February 2020

Due to regular upgrades of systems and products, ZKTeco could not guarantee exact consistency between the actual product and the written information in this manual.

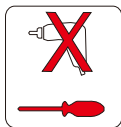
# Installation Diagram



# Precautions



Do not overexert the screws during installation.

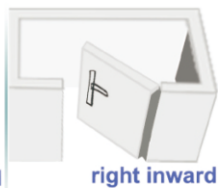
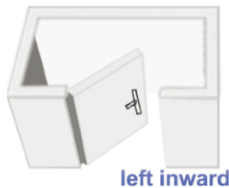


Do not use electric tools to tighten the screws.

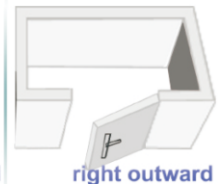
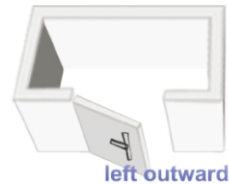


Wear safety glasses to protect your eyes when drilling and slotting

Inward direction

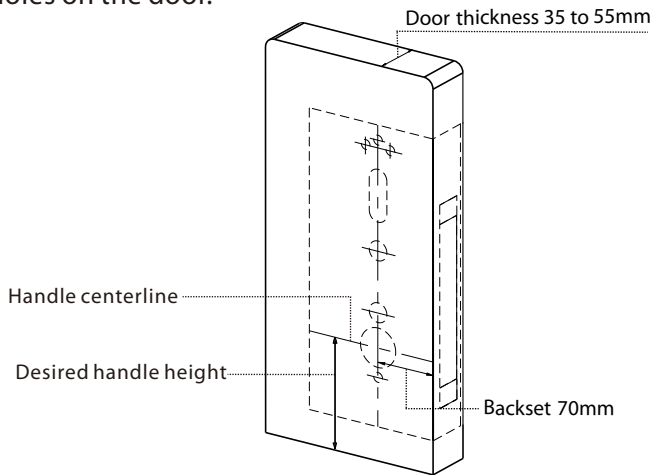


Outward direction

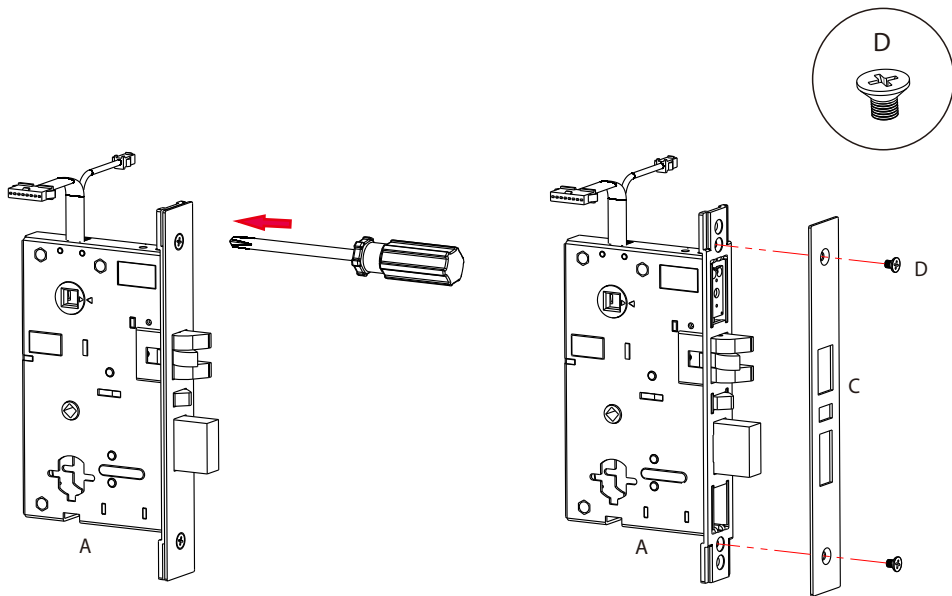


# Installation Steps

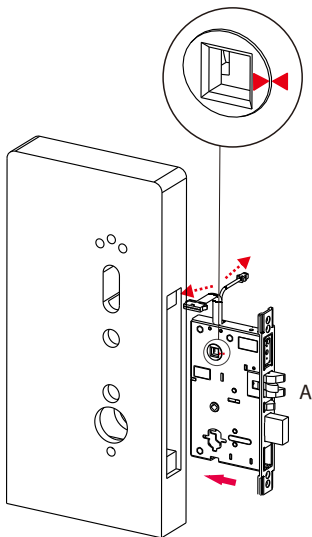
1. Align the template along the vertical center line of the mortise at a desired handle height and hold it together with the door. Then, drill holes on the door.



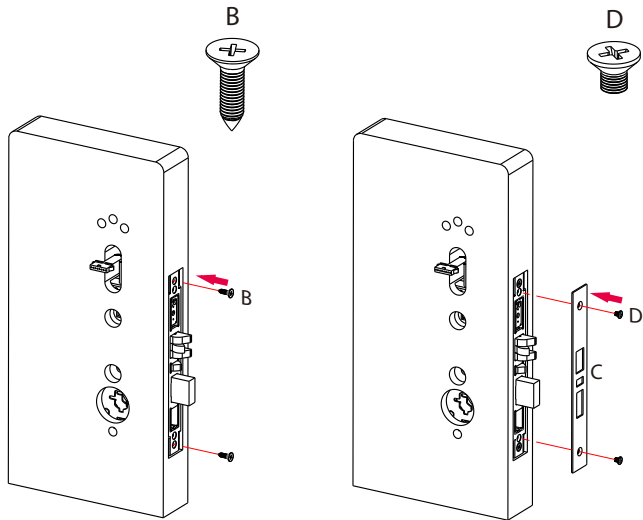
## 2. Remove the two screws (D) from the mortise latch plate



### 3. Fix the Mortise (A)

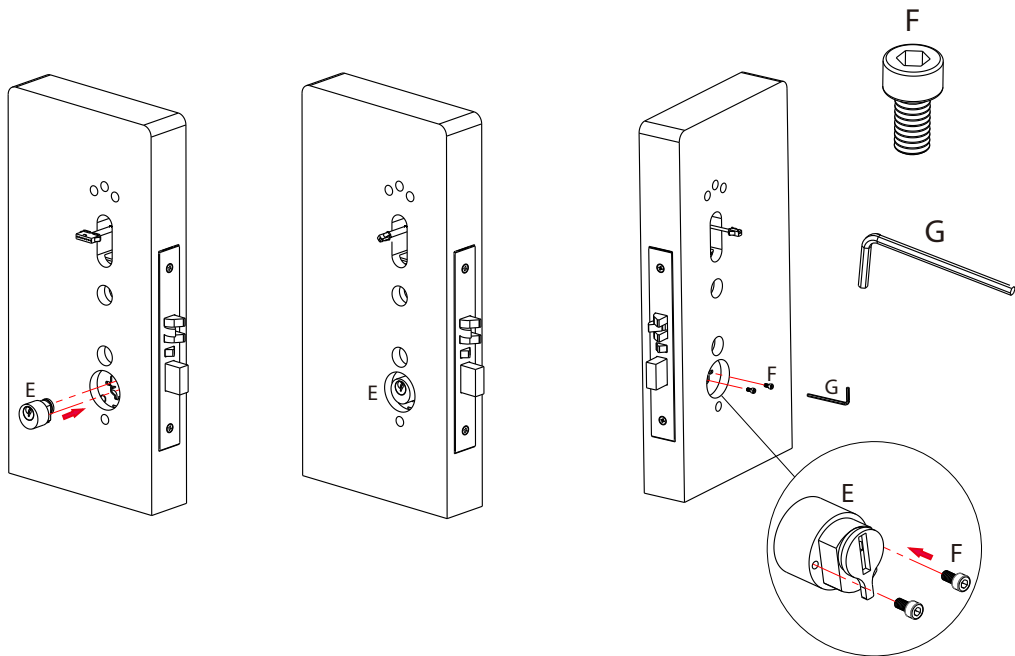


### 4. Fix the Mortise latch plate (C)

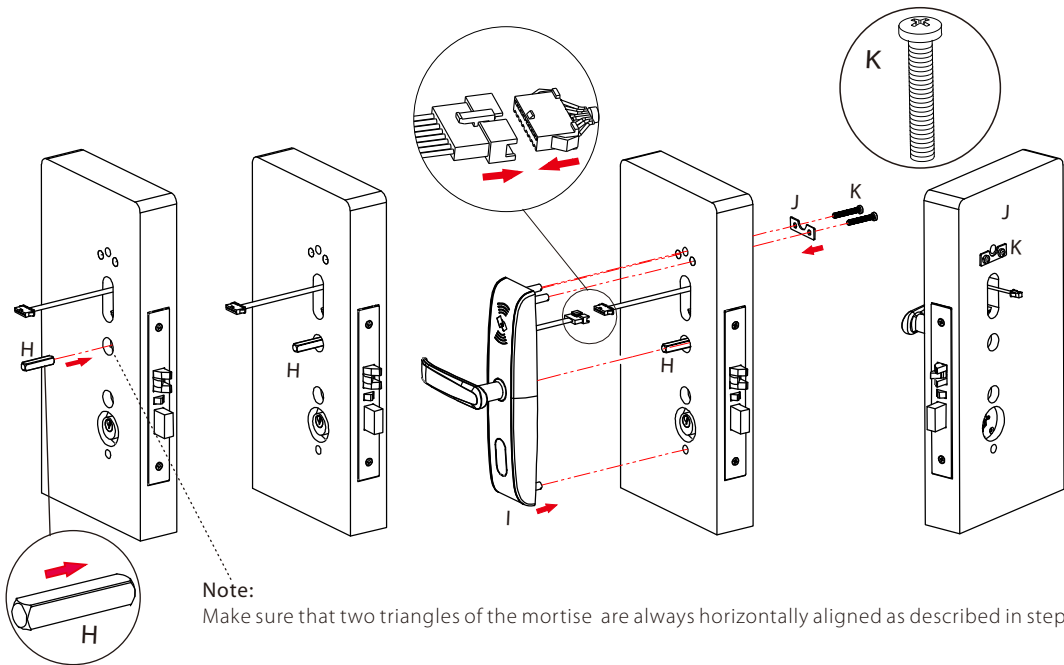


**Note:** Two Triangles on the mortise must be aligned horizontally (as shown in the above image).

## 5. Affix the lock cylinder (E)

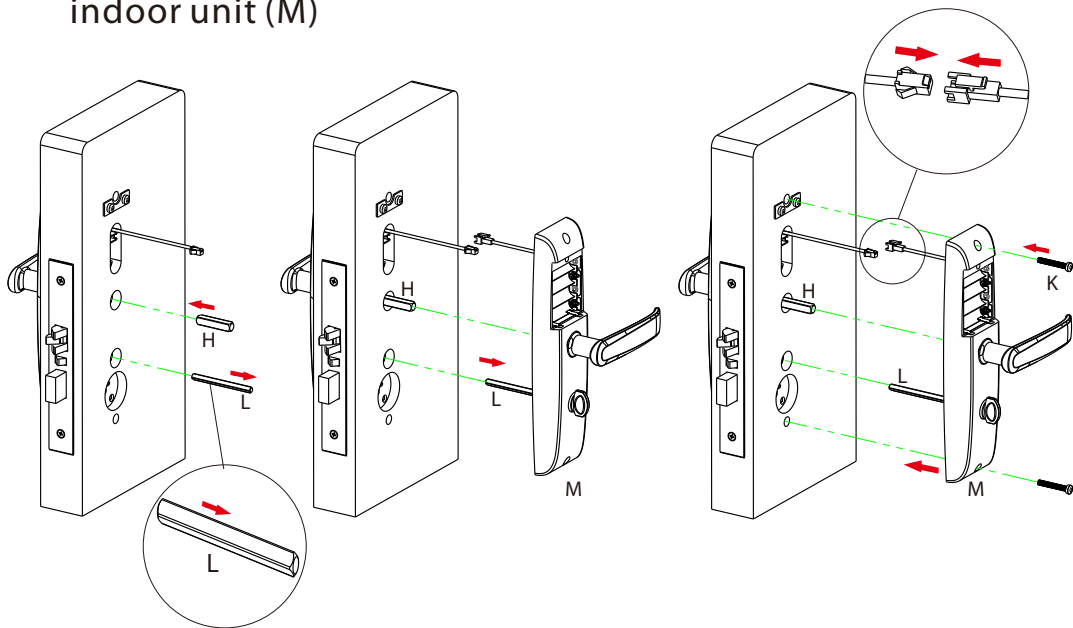


## 6. Attach the 8x8 spindle (H) and fix the outdoor unit (I)

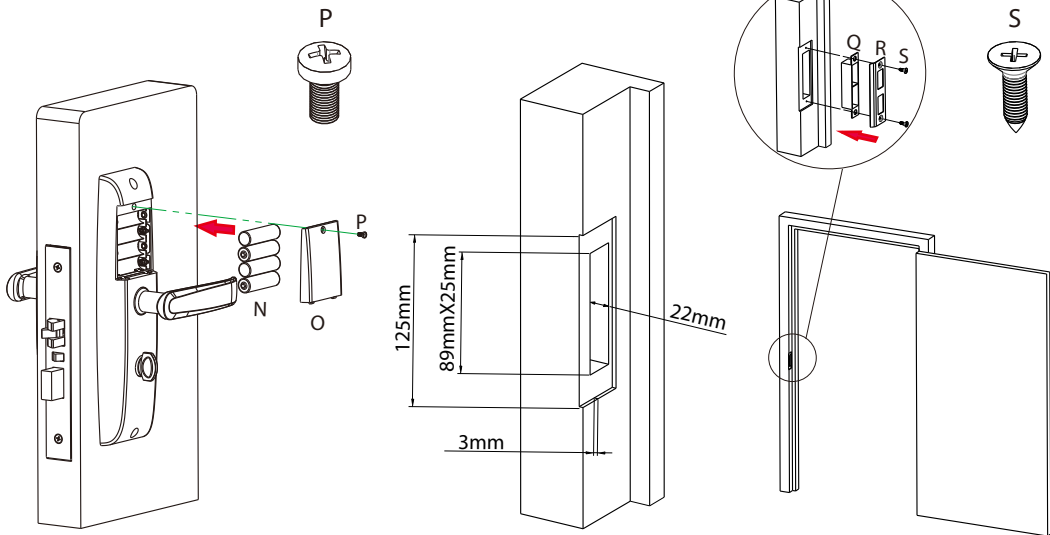




## 7. Attach the 8x8 spindle (H) and 5x5 spindle (L). Then fix the indoor unit (M)

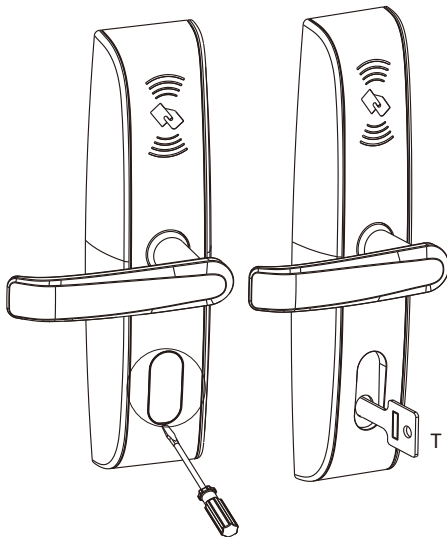


8. Connect the batteries (N) 9. Measure the doorframe for strike dimensions and drill the hole



## 10. Test lock

1. Test the lock by rotating the handle and emergency key.
2. You can use the emergency key by removing the cover on the lock cylinder with a screwdriver or nails.



## Maintenance

1. Avoid contact with corrosive substances.
2. Do not hang any object on the handle.
3. When the battery power is low, the lock will beep to remind the user to renew the batteries.
4. Please do not mix up with the positive and negative terminals while replacing the battery.
5. To avoid battery leakage, it is preferable to renew the battery at least once in half-a-year. Do not use a battery of poor quality.

## Disclosure

1. The demonstration figures in this installation guide may differ with the actual product, the actual product shall prevail.
2. The software within the lock manages the RFID cards. For more details, please refer the software user manual.
3. Keep the emergency key safe as a backup.
4. For further queries, please contact the seller.

ZKTeco Industrial Park,  
No. 26, 188 Industrial Road,  
Tangxia Town, Dongguan, China.  
Phone: +86 769 - 82109991  
Fax: +86 755 - 89602394  
[www.zkteco.com](http://www.zkteco.com)

