

# G3 Pro

## Revolutionary 3-in-1 Contactless Palm Recognition Terminal

Compatible with  
**ZKProSecurity**

Compatible with  
**BioTime 8.5**



**G3 Pro** is powered by Computer Vision technology like 3-in-1 contactless palm recognition, which means the terminal can perform bio-authentication with a user's palm vein, palm print, and the shape of palm at the same time once the sensor detects a hand presented.

Palm vein and palm print patterns are reliable human identifiers as the details are extremely hard to be duplicated, thus, together with the powerful algorithm, users may enjoy the terminal's enhanced anti-spoofing ability.

Eliminating hygienic concerns, G3 Pro, equipped with a novel hand tracking technique allowing angle tolerance as wide as  $\pm 60^\circ$  in the roll axis, the huge capacity of 6,000 palm templates, and a 1.4GHz quad-core CPU, extracts palm print and vein pattern for analysis at a distance for recognition from 0.2m to 0.5m in less than 0.35s. Users no longer need to struggle to touch the sensor at a specific angle and align the center of the palm with the center of the input sensor for proper hand images to be acquired.

# Features



Modern Design & Interactive UI



Revolutionary SilkID Fingerprint Sensor



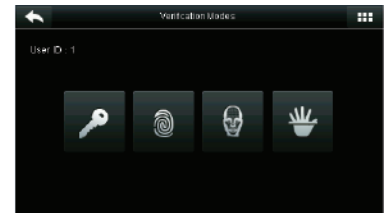
Multiple Verification Modes:  
Face / Fingerprint / Palm / Card / Password



Outstanding Performance With Dry, Wet and Rough Fingers



Simple Management & Scalability



# Specifications (G: GL Exclusive Feature)

## Capacity

Fingerprints	20,000
<span style="color: green;">G</span> Faces	12,000
<span style="color: green;">G</span> Palm	6,000
Cards	20,000
Transactions	200,000

## Hardware

- G 1.4GHz Quad Core CPU
- G Memory 1G RAM / 1G Flash
- SilkID Fingerprint Sensor
- G 4.3 Inches Touch Screen
- Hi-Fi Voice & Indicator
- Tamper Switch Alarm

## Optional Functions

- HID Proxy / Mifare Card Reader
- G Wi-Fi / 3G
- External Printer
- G Battery (2,000 mAh)
- G POE (Standard IEEE 802.3at)

## Communication

- TCP/IP
- USB Host
- Wiegand Output

## Standard Functions

- ID Card / Work Code / DST / SMS / Bell Schedule Attendance
- Status Auto-Switch Record
- Query / Photo ID Custom
- Wallpaper & Screen Saver

## Compatibility

- BioTime 8.5
- ZKBioSecurity (T&A)

## Access Control Interface

- Lock Relay Output
- Alarm Output
- Exit Button
- Door Sensor
- External Bell

## Special Functions

- G Multiple Biometric Verification Modes
- G Alive Face / Palm Detection
- G Duplicate Face / Palm Detection

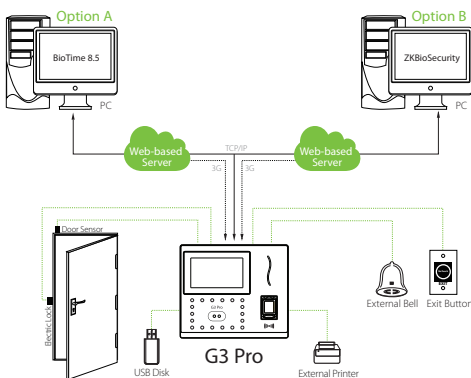
## Additional Info

- Working Temperature: 0 °C ~ 45 °C
- Dimensions: 199.2 × 171.8 × 96.9 mm
- Algorithms: ZKFace v12.0 & ZKFinger v10.0 & ZKPalm V12.0
- Fingerprint: FAR≤0.0001%; FRR≤0.01%
- Face: FAR≤0.001%; FRR≤1%
- Palm: FAR≤0.01%; FRR≤1%

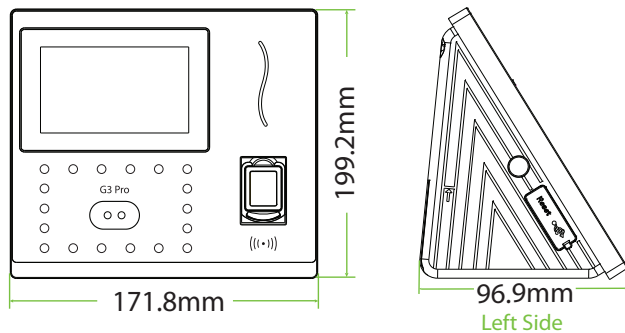
## Power

- Operating Voltage 12V DC
- Current Draw < 500 mA

# Configuration



# Dimensions (mm)



ZKTeco Middle East

www.zkteco.me E-mail: zk\_me@zkteco.com

V1.0 2020.02.23



Copyright©2020 ZKTECO CO., LTD. All rights reserved.