

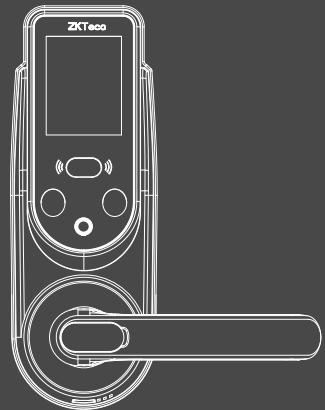
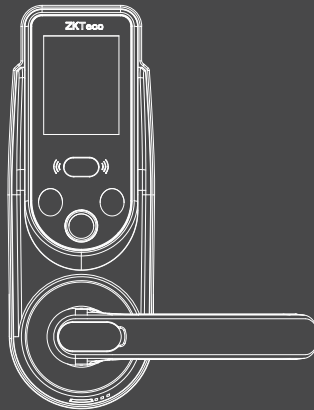
# Installation Guide

---

## HBL100/HBL200 (Double Latch)

Version: 1.0

Date: June 2019



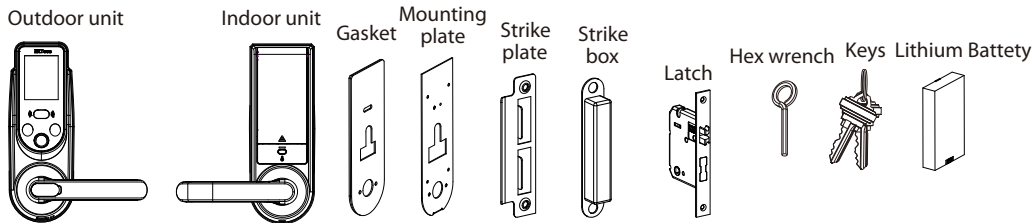
## *Important Notes*









- ❖ Please read all instruction in this manual or call customer care before returning the product to the store.
- ❖ The contents of this guide may vary without any notices to improve the performance of this product.
- ❖ Customer's improper installation may result in a additional service costs. We highly recommend professional installation.

## *Contents*

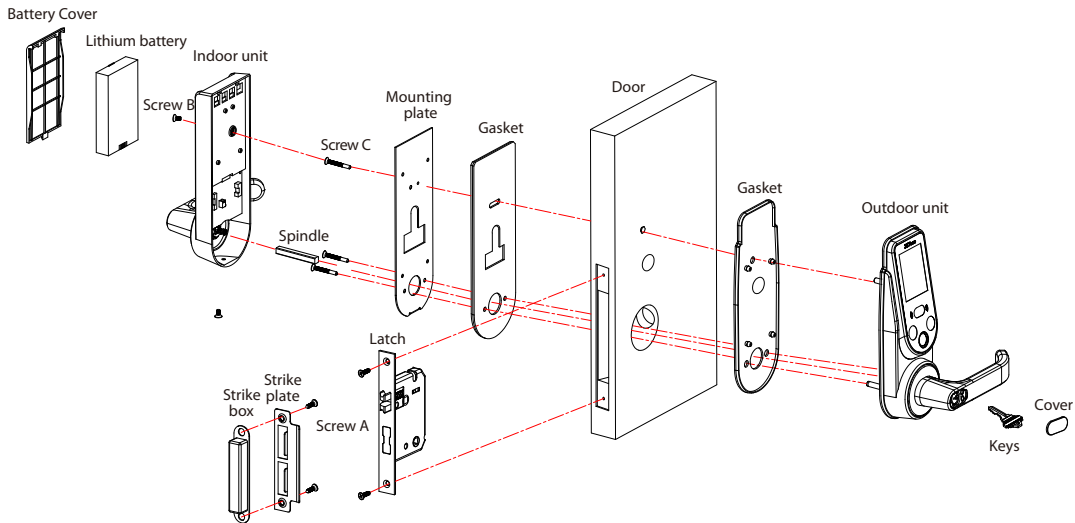
What's in the Box.....	1
Installation Diagram.....	2
Installation Preparation.....	3
Installation Steps.....	4
Change Handle Direction.....	11

# What's in the Box



Door Thickness	30-37mm	38-45mm	46-53mm	54-60mm
Spindle	 64mm	 72mm	 80mm	 88mm
Screw A				
Screw B	 8mm			
Screw C	 25mm		 40mm	
<p><b>Note:</b> To ensure proper functioning of the lock, use the correct set of screws and spindle according to your door thickness.</p>				

# Installation Diagram



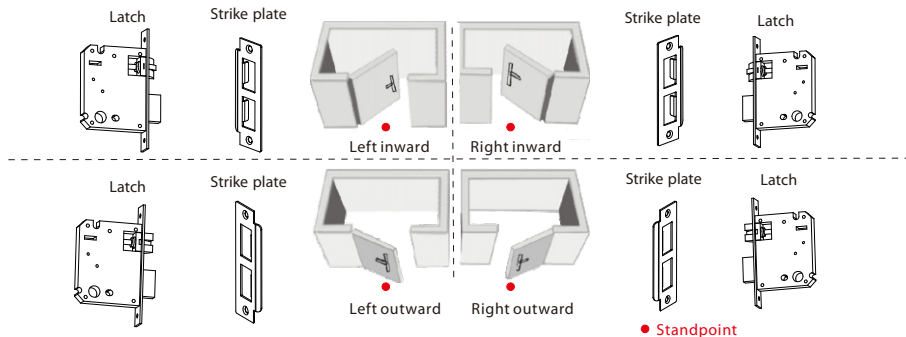
# Installation Preparation

## 1. Check door thickness.

After measuring the door thickness, select the proper spindle and screw length. For details, please refer to the table contents of page 1.

## 2. Check door opening direction.

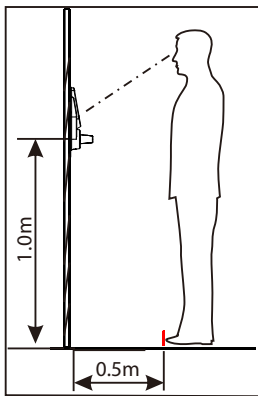
The handle of the door is determined by the swing (handing) direction of the door. Below is the graphical representation of handing in reference to your location outside the room.



# Installation Steps

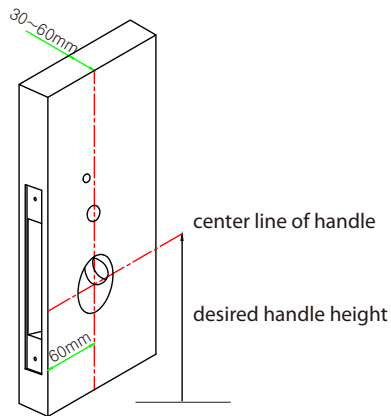
## Recommended Installation Height

If the user height is 1.6-1.8m, the height from handle centerline to ground is 1m.



## 1. Drilling holes in the door.

- 1) Paste the installation template at a desired handle height.
- 2) Mark the holes and start drilling the holes.

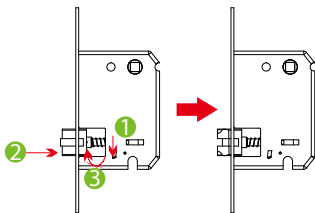


## 2. Installing the latch.

1

Change latch direction. (if needed)

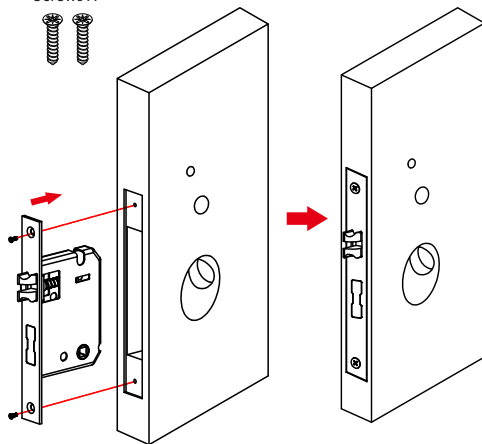
1. Push the reversing block down.
2. Push the latch bolt into mortise.
3. Rotate the latch bolt at 180° inside mortise, then loose it.



2

Secure the latch by inserting the screws A.

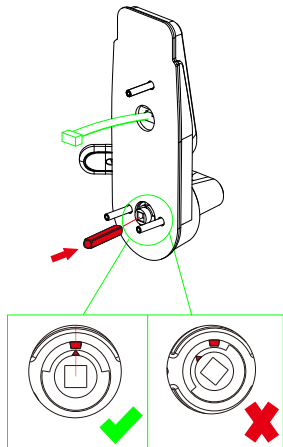
Screws A



### 3. Installing outdoor unit on the door.

1

1. Attach the gasket to the outdoor unit.
2. Insert spindle into the clutch.

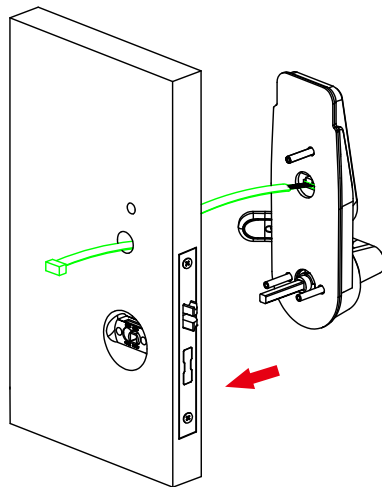


**Clutch correct position:**

The triangle must be vertically centered.

2

2. Route cable and attach the outdoor unit to the door by inserting it through the drilled holes.

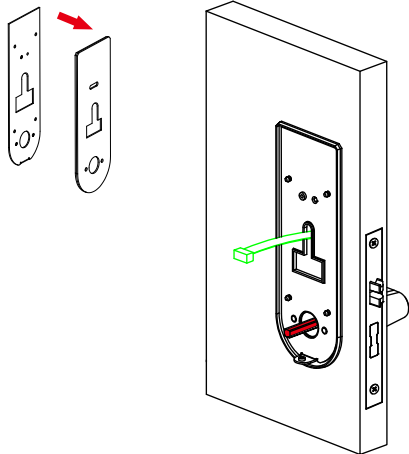




## 4. Installing mounting plate with gasket on the door.

1

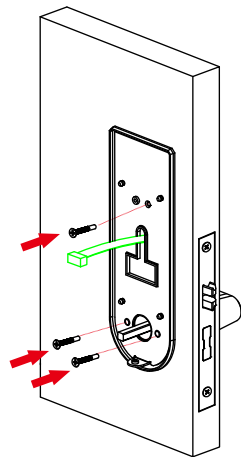
Attach the mounting plate to the gasket and route the cable through the hole on the mounting plate and gasket.



2

Place the gasket and mounting plate on to the door and use screws C to secure them.

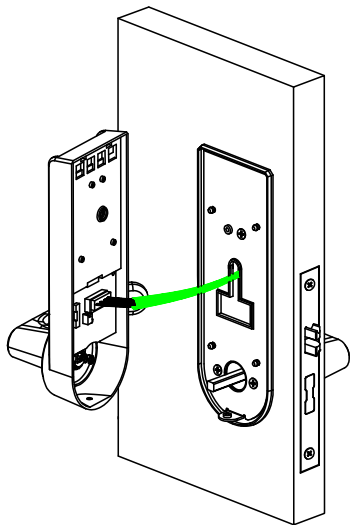
Screws C



## 5. Installing the indoor unit.

1

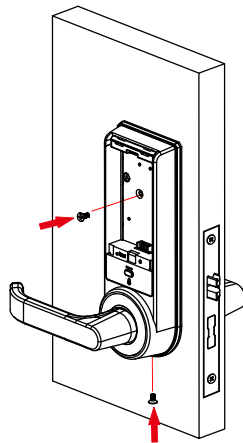
Connect the cable connector to the port on indoor unit.



2

Place the indoor unit properly on the mounting plate. Then use screw B to secure indoor unit.

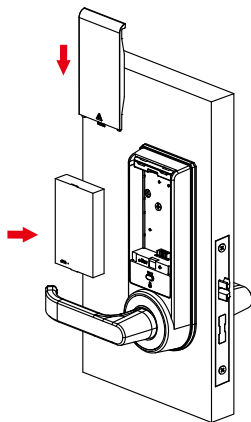
Screws B



## 6. Insert batteries.

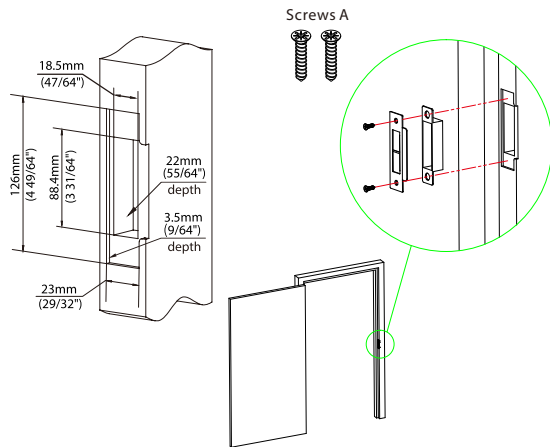
Insert the lithium battery and install the battery cover.

**Note:** Eight alkaline batteries are optional.



## 7. Mark and drill holes for the strike box and plate.

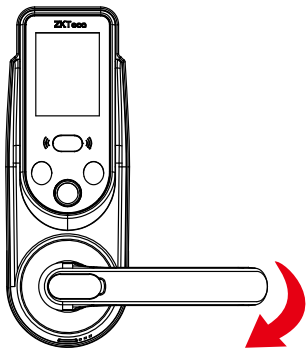
1. Make sure that the strike box is in level of latch bolt, then use installation template to drill holes.
2. Align the strike box and plate with the drilled hole and use screws A to secure them.



## 8. Testing the lock.

1

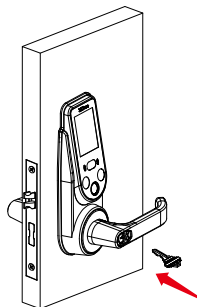
Test the lock from outdoor by rotating the handle.



**Note:** When the door is locked, the front handle can be turned, but the door will remain locked.

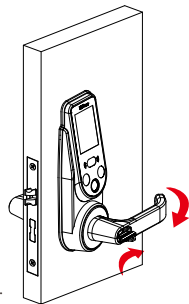
2

Test the lock by using the mechanical key.



1) Remove the cover on the mechanical key hole.

2) Insert the key and rotate 90° to the left or right.

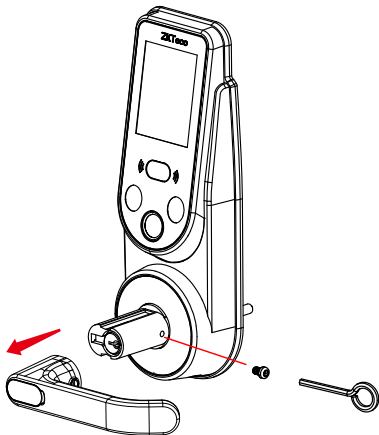


3) Turn the handle downward to open the door.

## Change Handle Direction

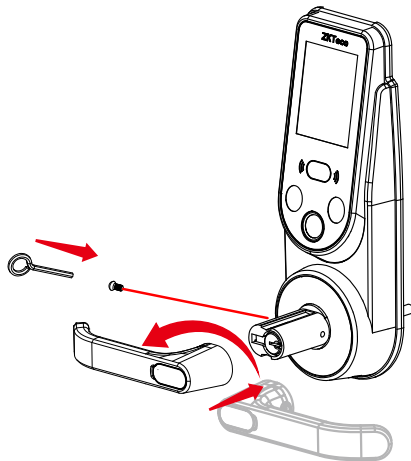
1

- 1) Use hex wrench to remove screw.
- 2) Take the handle out from the lock.



2

- 3) Change handle direction and replace.
- 4) Secure using the screw.



ZK BuildingWuhe Road, Gangtou, Bantian, Buji Town,  
Longgang District, Shenzhen China 518129

Tel: + 86 755-89602345

Fax: + 86 755-89602394

[www.zkteco.com](http://www.zkteco.com)

