

# Installation Guide

## Blade 6040 X-ray Baggage Inspection System

---

Version: 1.0

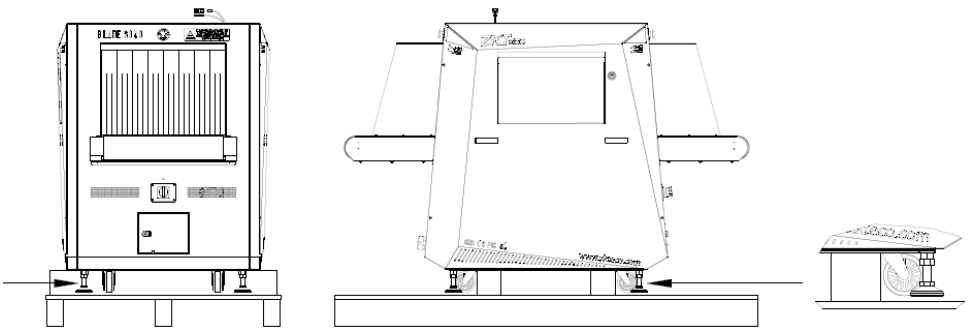
Date: April 2019

# Micro Dose X-ray Security Inspection Device

## BLADE6040 Installation Guide

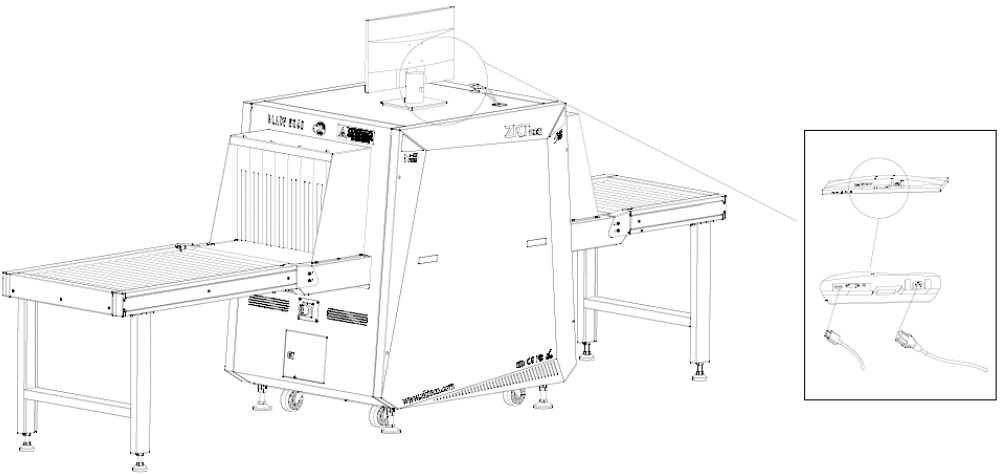
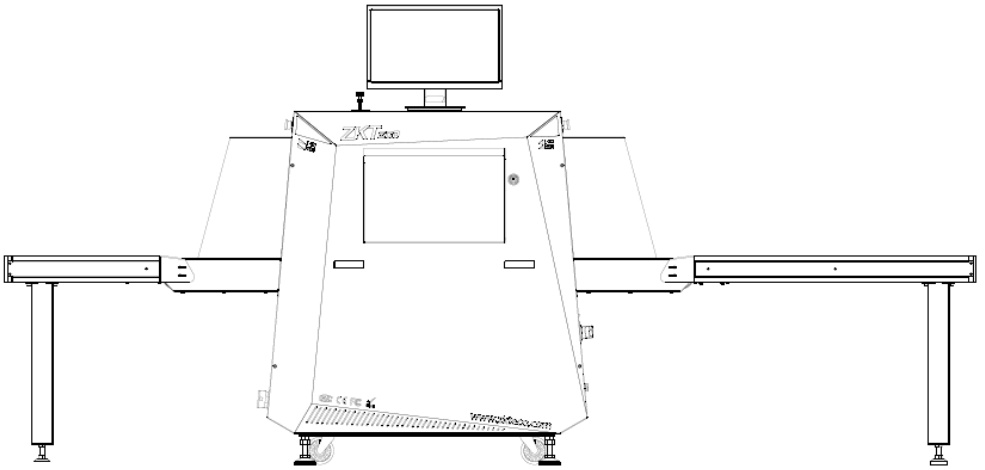
### 1 Unpacking

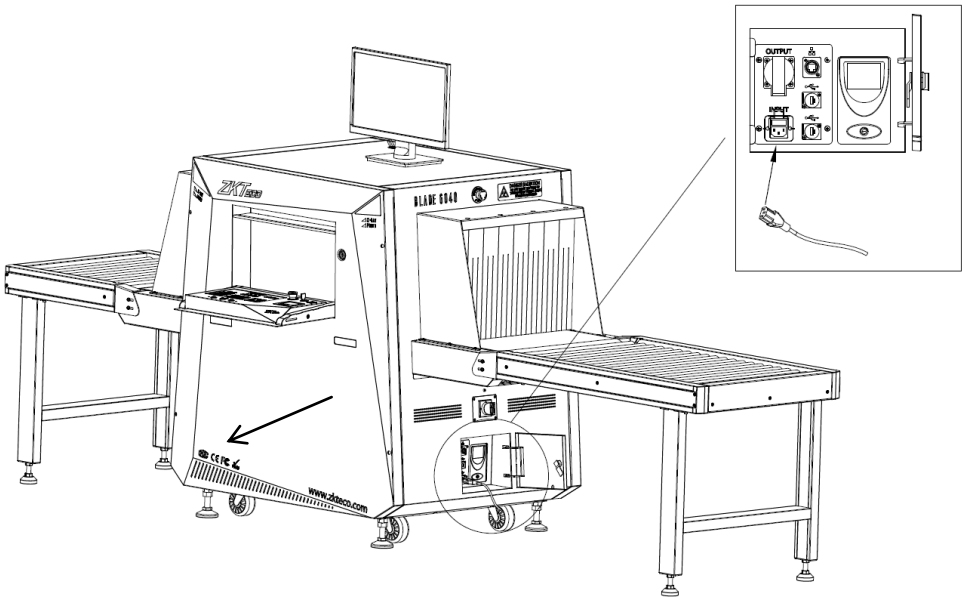
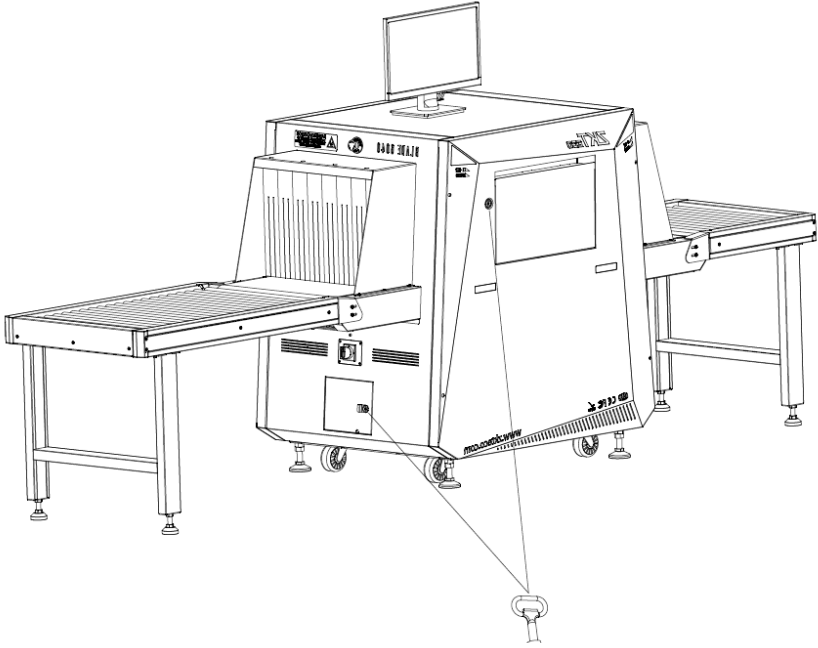
Unpack the machine, and lift-up from the palette using a forklift, capable of carrying a minimum 600kg(1324lbs). Place the forks underneath the long side of the machine, between the wheels. Lift-up, and carry the machine where it will be installed. Then carefully put it down on the ground on its wheels. You can make additional adjustments by moving the machine on its wheels. Finally, adjust the four stability feet, located underneath the chassis, at the four corners of the machine.



### 2 Wiring

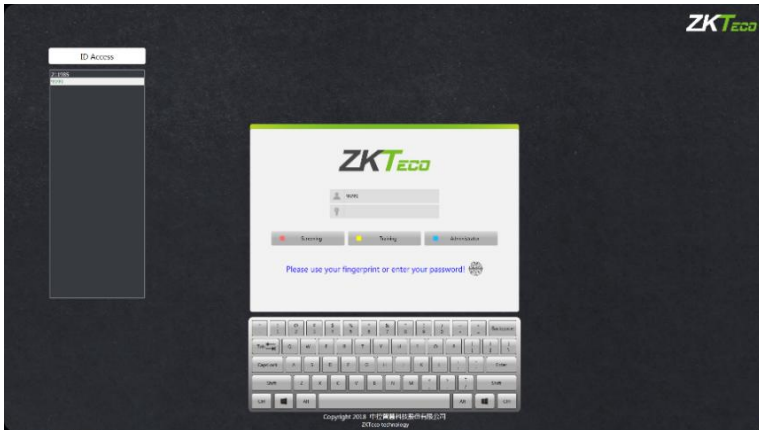
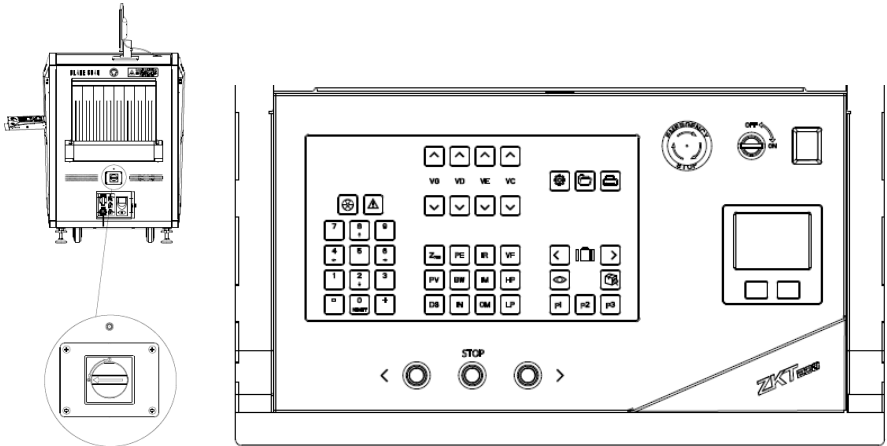
- ① Take out the monitor from its package and install the screen and base.
- ② Connect the HDMI cable and power cable to the monitor.
- ③ Take out the triangle key from tools box, open operating keyboard using triangle key.
- ④ Open the cover of main switch and user service panel using the triangle key, Take out the power cord from tools box and plug in power input socket of the machine.





# 3 Boot

- ① After making sure the lines are connected well, set switching on main switch on the machine to 1.
- ② Reverse the key to "ON" in control keyboard, the user login screen is displayed.
- ③ The system default administrator account is "99999", password is "123456", Please click **Screening** to enter scanning mode.

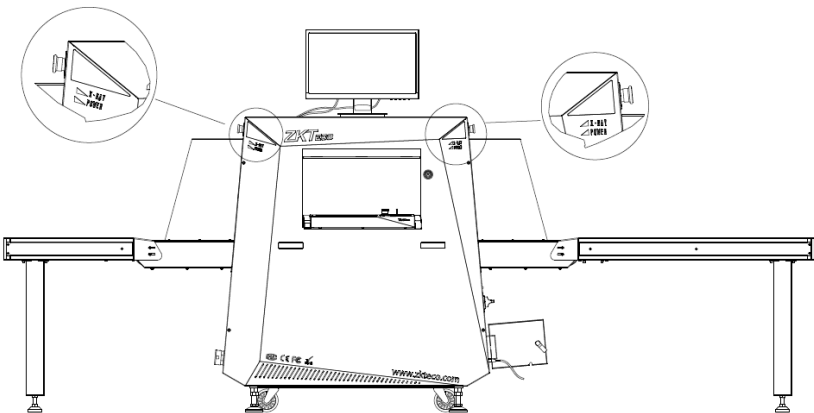


## 4 Check the Scanning Image

- ① Put a parcel on the belt at the entrance and use the mouse to click on the "Forward" direction key to move the belt forward.
- ② After the parcel is conveyed to the shelf via the belt, the scanning image appears on the screen in real time, and you can use image processing function to change image mode.
- ③ Use the mouse to click on the "Stop" button to stop the belt, then you can take the parcel from the shelf.

## 5 Power off

- ① When turning off, reverse the key switch from "ON" to "OFF".  
Notice: Do not unplug the power cable of the device before the device is shut down completely.
- ② The screen will show "Shutdown" followed by the prompt "Windows will shut down within one minute." When the indicators in four corners goes out, the device is completely turned off.
- ③ The power cable can be remove after the equipment is completely turned off. Please close the operating keyboard and cover of main switch using the triangle key.



# Green Label

ZK Building, Wuhe Road, Gangtou, Bantian, Buji Town,  
Longgang District, Shenzhen China 518129

Tel: +86 755-89602345

Fax: +86 755-89602394

[www.zkteco.com](http://www.zkteco.com)

