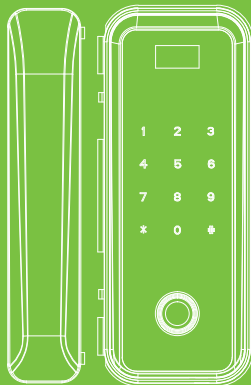


Installation Guide

GL300

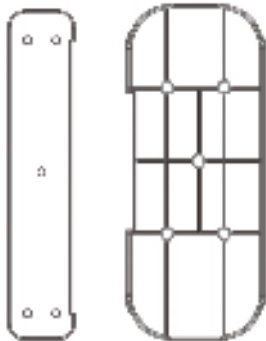
Version: 1.0



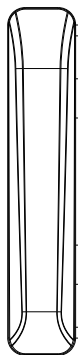
Pack list



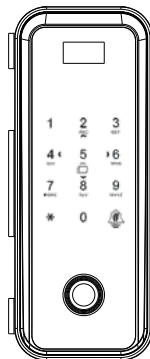
Screws



Sticky board



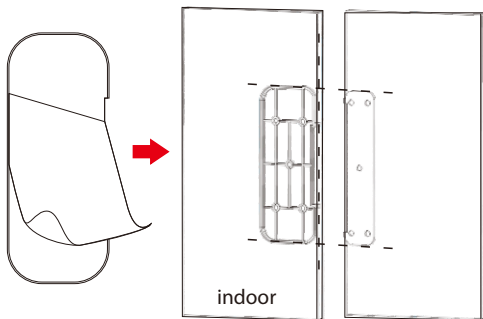
Part B



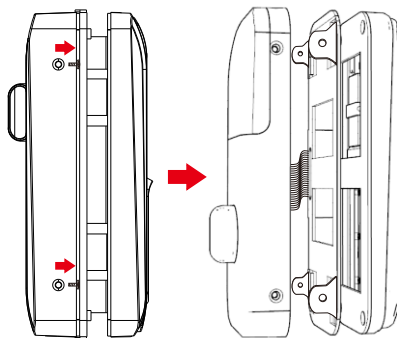
Part A

Installation

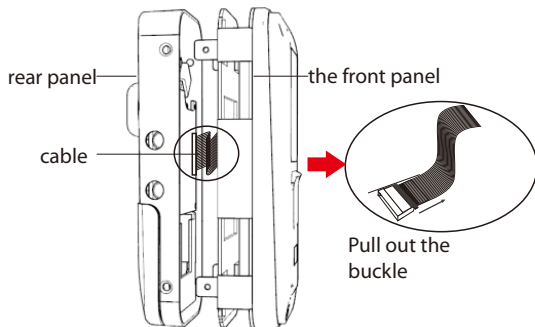
1. Peel the sticker off the mounting plate and stick it at the appropriate height



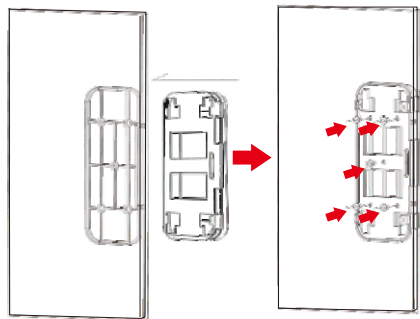
2. Remove screws from GL300 Part A



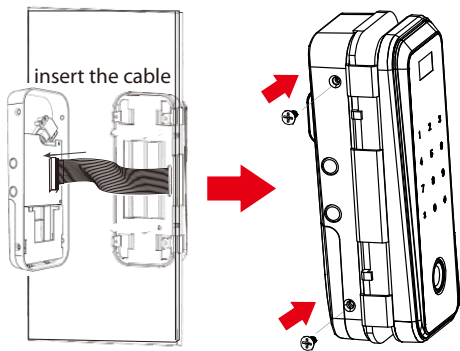
3. Detach the cable



4. Install the outdoor unit and tighten the screws

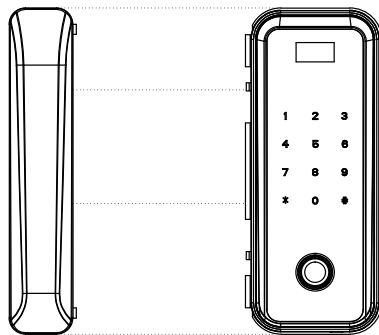


5. Secure Part A with the screws



Note: Please be careful while connecting the cable.

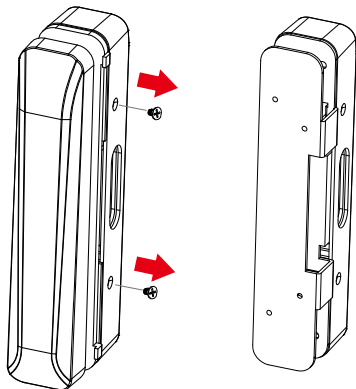
6. When installing Part B, make sure that it is at the same height as Part A



Part B

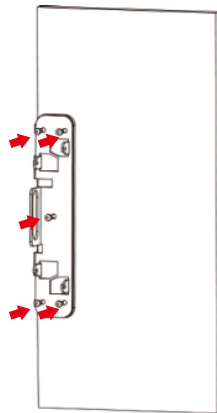
Part A

7. Unfasten and remove screws from Part B

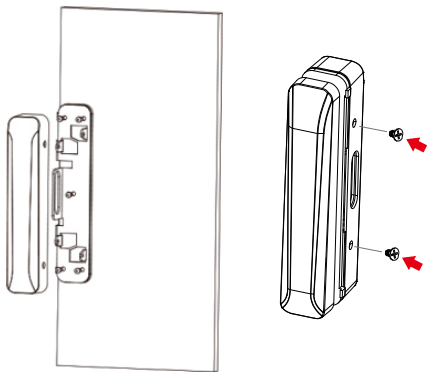


Part B

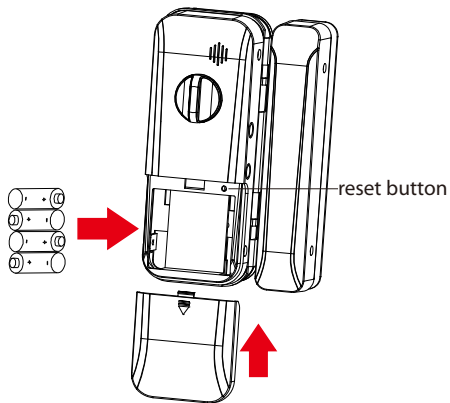
8. Install Part B outdoor unit on the glass door and fix it with the screws



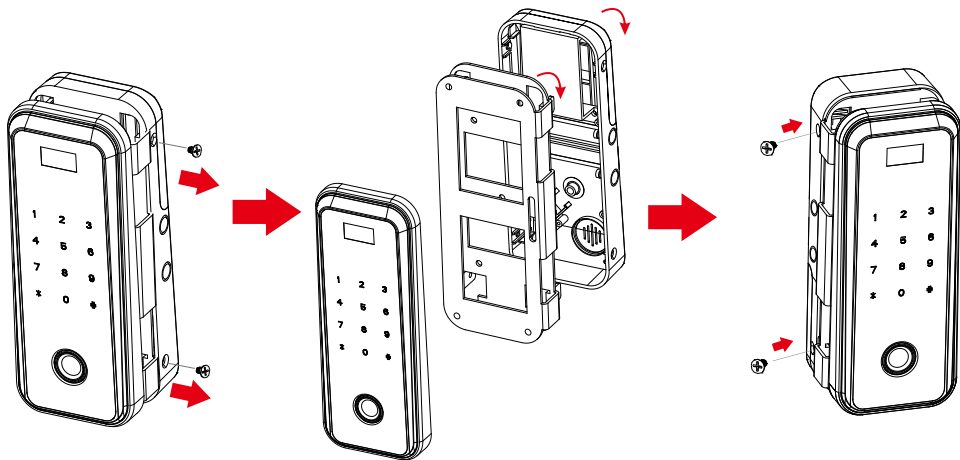
9. Install indoor unit on the glass door and secure with the screws



10. Install four batteries and fix the cover



How to change door open direction



remove the screws

rotate the mounting bracket
and indoor unit 180°

reinstall the screws

ZK Building, Wuhe Road, Gangtou, Bantian, Buji Town,
Longgang District, Shenzhen China 518129
Tel: +86 755-89602345
Fax: +86 755-89602394
www.zkteco.com

