

User Manual

Video Door Phone System
VDPO2

Version:2018

ZK Building,Wuhe Road,Gangtou,Bantian,Buji Town,
Longgang District,Shenzhen China 518129

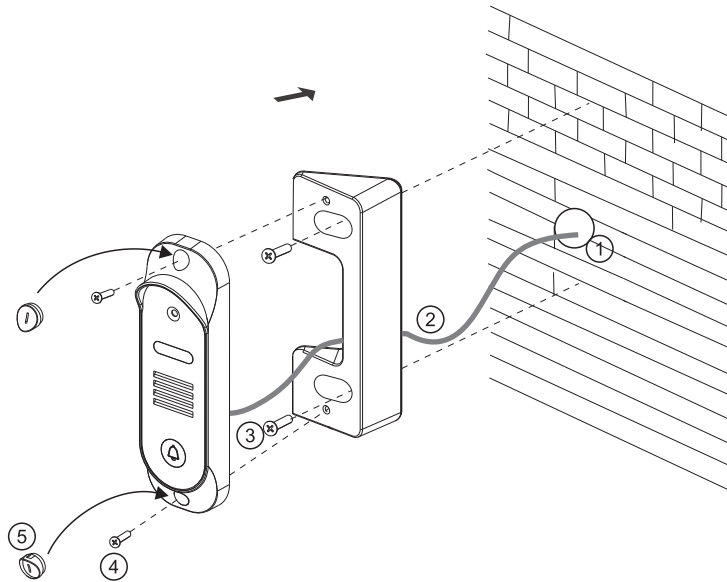
Tel:+86 755-89602345

Fax:+86 755-89602394

www.zkteco.com



5.2. Surface mounted with angle bracket (tilted 30°)



Processes:

- 1). Drill a hole at the suitable height on the wall for cables.
- 2). Connect the cables from the indoor monitor and electric lock with the door station.
- 3). Fix the angle bracket onto the wall with screws.
- 4). Fix the door station on the angle bracket with screws.
- 5). Cover the screw protectors onto the door station.

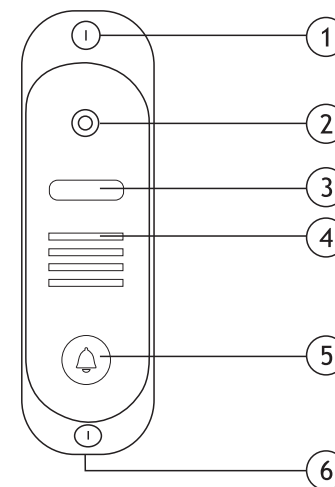
Remark:

For safety reason please do not connect to power before installation finished.

1.SPECIFICATIONS

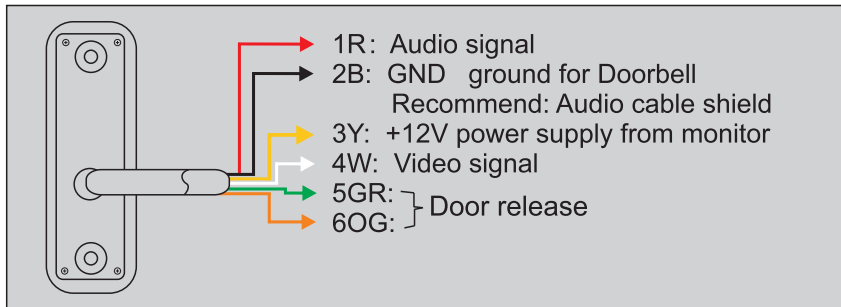
- Surface mounting
- Metal housing
- 600 TV lines
- HD color CMOS camera
- LED night vision
- Working temperature: -30°C to +60°C
- Dimension: 160*48*29mm
- 50°viewing angle
- 1Vp-p 75Ω Video output
- Power voltage DC 10-15V
- Power consumption 2.5W

2.DESCRPTIONS OF DOOR STATION(FRONT)



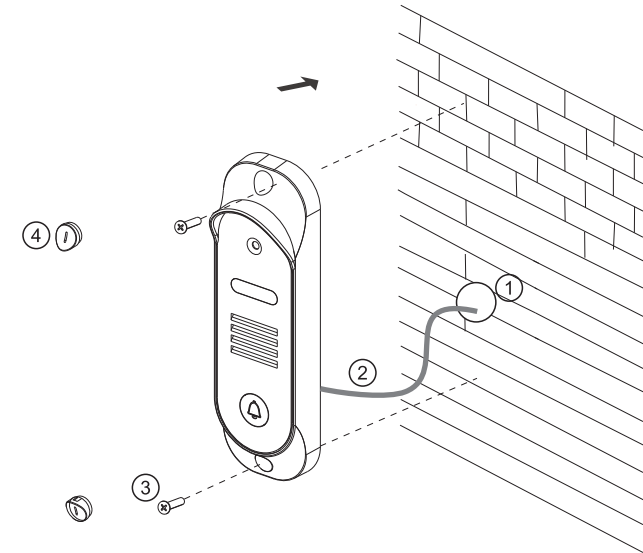
- 1). Screw protector
- 2). Camera
- 3). LED night vision
- 4). Speaker
- 5). Call button
- 6). Microphone

3. DESCRIPTIONS OF DOOR STATION (REAR)



5. Installation Diagram

5.1. Surface mounted



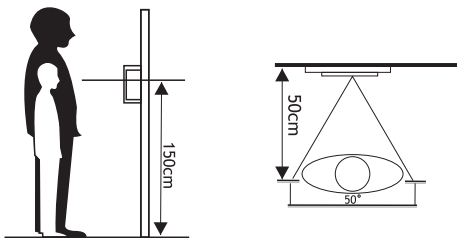
Processes:

- 1). Drill a hole at the suitable height on the wall for cables.
- 2). Connect the cables from the indoor monitor and electric lock with the door station.
- 3). Fix the door station on the wall with screws.
- 4). Cover the screw protectors onto the door station.

Remark:

For safety reason please do not connect to power before installation finished.

4. DOOR STATION INSTALLATION



- 4.1. Please select the most suitable door station position, avoid direct sunshine to camera, dark surroundings, rain.
- 4.2. Determine door station installation height: suggest to be 1.5~1.6 meters.