

User Manual

Video Door Phone System
VDPO1

Version:2018

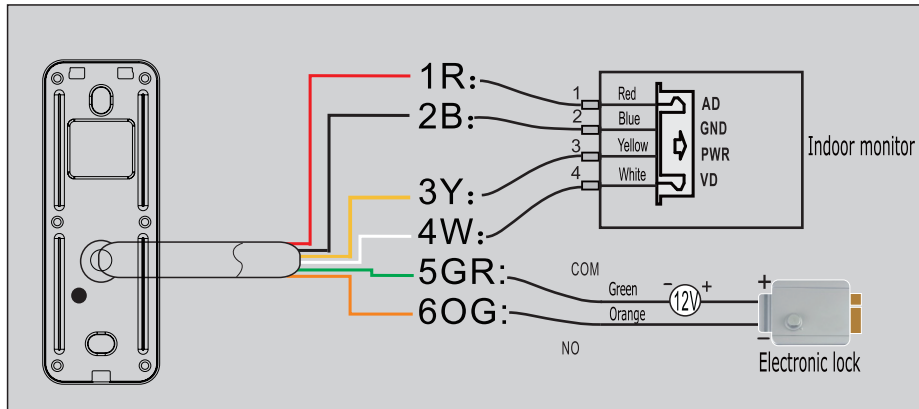
ZK Building,Wuhe Road,Gangtou,Bantian,Buji Town,
Longgang District,Shenzhen China 518129

Tel:+86 755-89602345

Fax:+86 755-89602394

www.zkteco.com

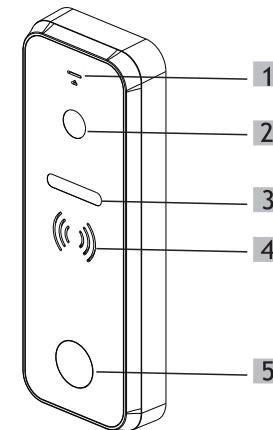




SPECIFICATIONS

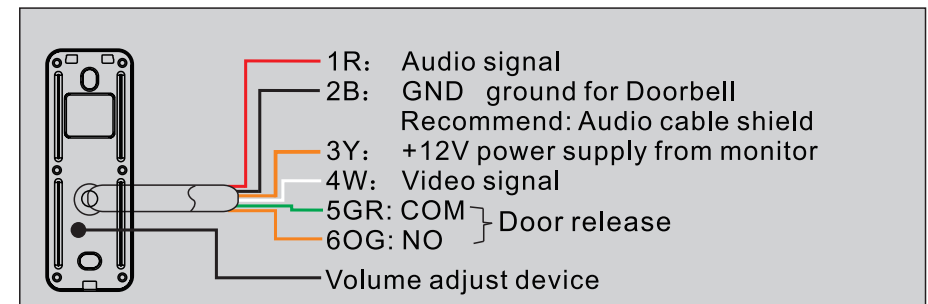
- Surface mount
- Aluminium alloy Housing
- 700 TV lines
- Colour CMOS Camera
- LED night vision
- Water proof IP66
- Working temperature: -25°C to +60°C
- Dimension: 133.2*48*15.5mm
- 110° viewing angle
- 1Vp-p75Ω Video output
- Power voltage DC 10-15V
- Power consumption 2.5W
- Anti-sabotage
- Volume is adjustable

DESCRIPTION OF DOOR STATION(FRONT)

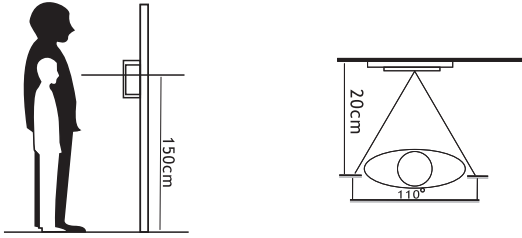


1. Microphone
2. Camera
3. LED night vision
4. Speaker
5. Call button

DESCRIPTION OF DOOR STATION(REAR)



DOOR STATION INSTALLATION

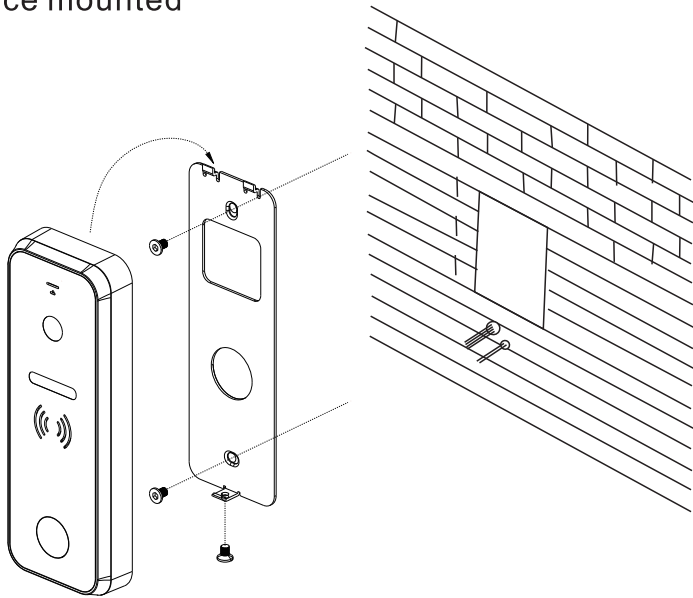


1. Please select the most suitable position of door station, avoid direct sunshine to the camera .

2. Suggest installation height: 1.5~1.6meters.

Installation Diagram

A. Surface mounted



Processes:

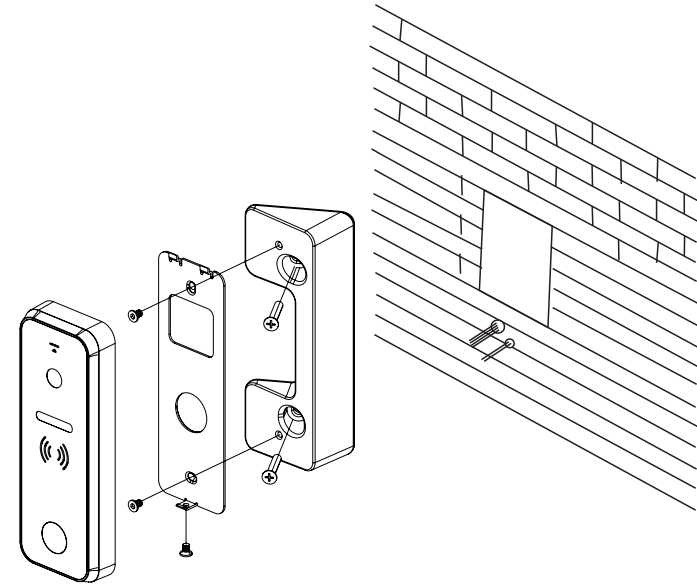
1. Drill a hole at a suitable height on the wall.
2. Disassemble the cover from the outdoor panel, and screw off the screw on the bottom

3. Fix the mounting bracket on the wall.

4. Connect the cable from the indoor monitor and electric lock with the door station(see wiring diagram on Page 4).

5.Put the cover onto the outdoor panel, and fix it with the screw on the bottom.

B. Surface mounted with angle bracket (tilted 30°)



Processes:

1. Drill a hole at a suitable height on the wall.
2. Fix the 30° angle bracket to the wall.
3. Disassemble the cover from the outdoor panel, and screw off the screw on the bottom.
4. Fix the mounting bracket to the 30° angle bracket.
5. Connect the cable from the indoor monitor and electric lock with the door station(see wiring diagram on Page 4).
- 6.Put the cover onto the outdoor panel, and fix it with the screw on the bottom.