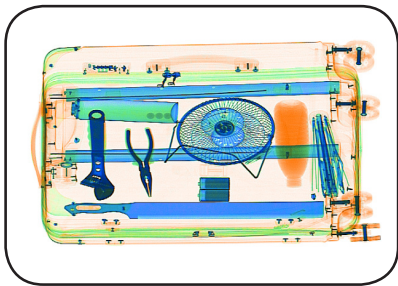


Dual Energy X-ray Inspection System ZKX6550V



Highlights

- Video surveillance system
- The black-and-white list function based on face recognition
- Widely usable for carry-on baggage

Standard

- Fingerprint console board
- Dual monitor operation desk
- Video surveillance
- Face recognition

Optional

- Auto-start function
- Bi-directional scanning
- Rat expelling function

Introduction

ZKX6550V uses reliable high quality dual energy X-ray generator. With the superb image algorithm, ZKX6550V could offer clear scanning image, which allows operators to identify potential threat items visually.

ZKX6550V has innovative biometric identify function for operators, improving the security of system and preventing operator from forgetting password.

Advanced video surveillance technology can record each security process, and stored on the local hard disk, which allows operator and administrator review the surveillance video.

With advanced face recognition algorithm, ZKX6550V offers Black-list function could record face information of person who is suspicious. While a person is added to the Black-list, device would alarm to warn the operator when that individual goes through.

Specifications

Tunnel Size	W655mm × H505mm
Speed	0.20 m/s
Height of Transmission Belt	700 mm
Maximum Load	≤180 kg (Adequate distribution)
Wire Resolution	40 AWG
Space Definition	Horizontal Φ1.0mm \ Vertical Φ2.0mm
Penetrate Definition	34 AWG
Penetration	38mm steel board
Monitor	21.5 inch LED x 2
System Function	High density alert, Explosive/ Drug auxiliary detect, TIP, Luggage counter, date/time display, User management, Training.
Film Safety	ASA/ISO1600 standard of film safety

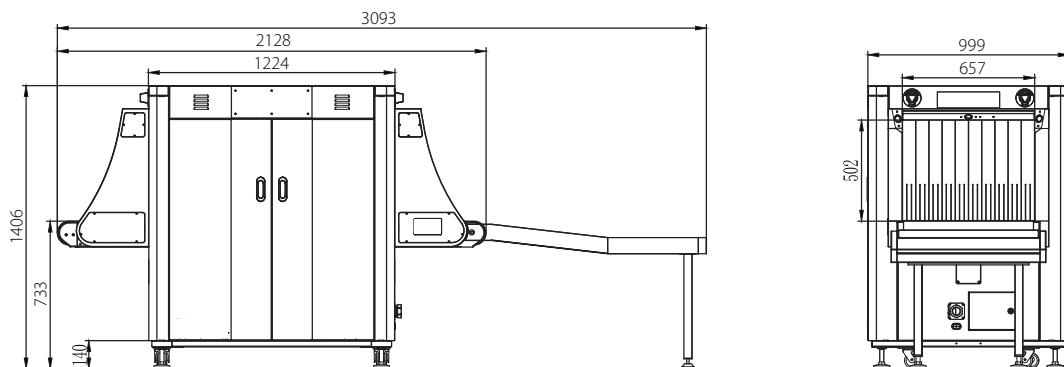
X-ray System

Tube Voltage	150Kv
Cooling	Seal oil cooling / 100%
Single Inspection Dosage Rate	≤1.0 μ Gy
Radiation Leak Dosage	0.1 μ Gy/h (5cm from the surface)

Installation Specification

Package Size	L2240mm × W1170mm × H1755mm
Console Desk Size	L830mm × W800mm × H1330mm
Package Weight	640KG+100KG(Console desk)
Power Consumption	1 kVA
Noise	53.8 dB(A)

Dimension



More details

ZKTECO CO.,LTD.
www.zkteco.com
 E-mail: sales@zkteco.com

© Copyright 2017. ZKTECO CO., LTD. ZKTeco Logo is a registered trademark of ZKTECO CO., LTD. or a related company. All other products and company names mentioned are used for identification purposes only and may be the trademarks of their respective owners. All specifications are subject to change without notice. All rights reserved.

